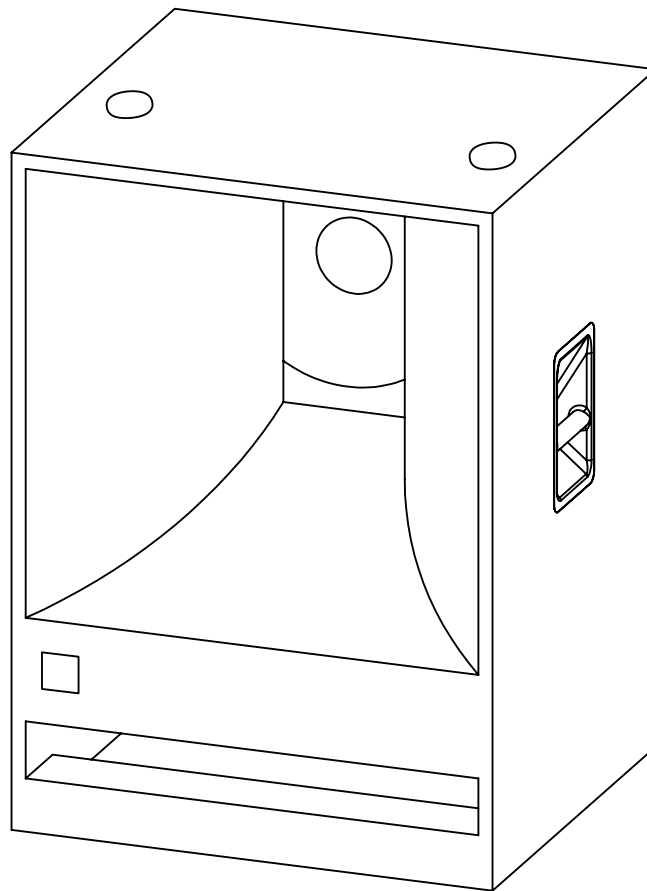

MODULE VDS-T

DATASHEET



LIGHT AND VERSATILE

48kg, high efficiency

WIDEBAND SPEAKER

Low and medium frequency reproduction

LARGE PORT

Low particle velocity and plays down to 45Hz

EXPONENTIAL HORN

Excellent acoustic loading

MADE FOR TOURING

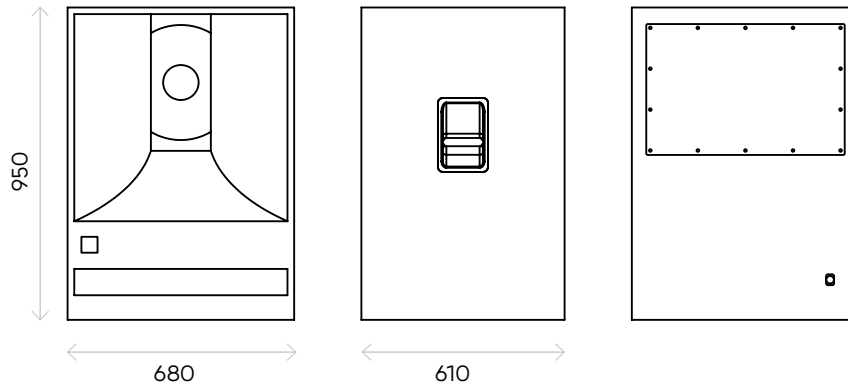
Handles, rigging system, speaker stand inserts

VDS-T

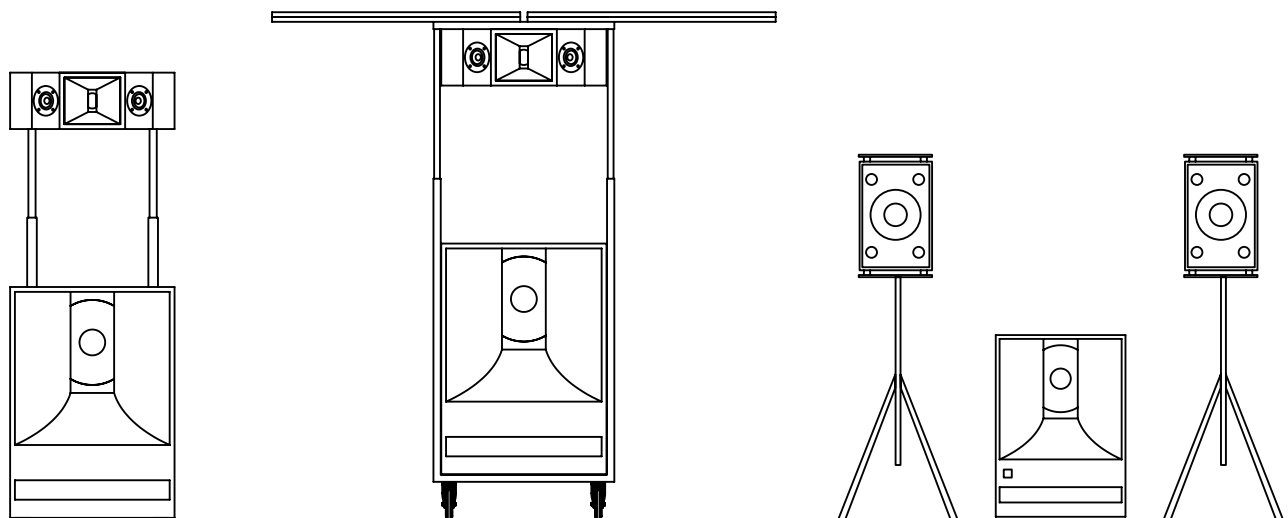
ACOUSTIC FEATURES

- Wide band, stand alone enclosure
- Hybrid acoustic loading: LF horn + vented enclosure, HF fully horn loaded
- Birch Plywood consolidated 15mm
- Textured polyurethan finish
- SPEAKON input
- Optional: Speaker stand adaptor, feet, corner protection, recessed handles

FREQUENCY RESPONSE (+/-3dB)	45-630Hz
CONTINUOUS POWER HANDLING (NOMINAL PROGRAM POWER CAPACITY + 3dB)	1000W
SENSITIVITY (1W@1M)	105dB
IMPEDANCE	4ohms
TRANSDUCERS	15" neodyme woofer
MAX SPL (@1M, PINK NOISE 6DB CREST FACTOR)	139dB SPL
DIMENSIONS (LXPXH)mm	680x610x950
WEIGHT	48kg



COMPATIBILITY



LITE COLUMN

EXO COLUMN

SUB REINFORCEMENT
(LOW PASS 150HZ)

Contact@pikip-solarspeakers.com

91 av Edouard Vaillant
93500 Pantin