

---

**SOLUTION PIKIP STAGE**

---

**DATASHEET**

**OPTIMAL USE**

Gigs  
DJing  
Touring  
Main Stage  
Multicast

**OUTDOOR & INDOOR**



**VERSATILE**

Autonomous main stage and multicast

**MODULAR**

Easily customizable

**PLUG'N'PLAY**

Embedded DC/AC energy and amplification

**HYBRID CHARGE**

Solar panels or main

**SIMPLIFIED LOGISTICS**

Market standards compatible

**Pikip**  
STAGE

## ACOUSTIC FEATURES

- Full range, stand alone enclosure
- Hybrid acoustic loading: LF horn + vented enclosure, HF fully horn loaded
- Reinforced 15mm birch plywood
- Left & Right
- Wide homogeneous covering area
- Textured polyurethan finish

<b>FREQUENCY RESPONSE (+/-3dB)</b>	45-20000Hz
<b>CONTINUOUS POWER HANDLING (NOMINAL PROGRAM POWER CAPACITY + 3dB)</b>	2 x 1540W
<b>MAX SPL (@1M, PINK NOISE 6dB CREST FACTOR)</b>	135dB SPL
<b>NOMINAL COVERAGE ANGLE (H° X V°) -6 dB</b>	60° x 40°
<b>TRANSDUCERS</b>	2x VDS-T : 1x neodymium high output 15'' driver 2x MT-1 : 1x 2'' compression driver + 2 x bullet 1,25''

## INTEGRATED AMPLIFIER & DSP FEATURES

- Green Audio Power Technology by POWERSOFT
- Class D amplifier with integrated DSP
- 2 XLR analog input
- 2 SPEAKON per channel - minimum impedance 4ohm each
- Protection over-under voltage
- Protection Peak and RMS limiters customizable
- 4 acoustic presets provided (custom preset option available)
- Fully configurable with ArmoniaPlus

<b>OUTPUT POWER (EIAJ 1kHz, 1% THD)</b>	2 channel mode - 2x400Wrms @8ohms (brigeable) 4 channel mode - 4x400Wrms @8ohms (brigeable) 6 channel mode - 6x400Wrms @8ohms (brigeable)
<b>GAIN</b>	26dB
<b>FREQUENCY RESPONSE (+/-3dB)</b>	20Hz - 33kHz @1W, 8ohms
<b>SIGNAL-TO-NOISE RATIO</b>	>113dB
<b>INPUT SENSITIVITY (8 ohms)</b>	1,7 dBU
<b>INPUT IMPEDANCE</b>	10k ohms
<b>THD+N</b>	<0,08 from 0,1W to half power
<b>OPERATING TEMPERATURE</b>	0°C to 40°C / Active fan

## ENERGY SYSTEM FEATURES

- Converter - Regulator - Battery MADE IN E.U. / certificate TÜV / ISO 9001
- DC and AC output for external electrical musical device (mixing desks, turntables)
- 3x SCHUKO plugs protected by 30mA RCCB
- State of charge Controller for real time consumption and autonomy monitoring
- Bluetooth Smart Phone connection

<b>AC OUTPUT</b>	1200VA - 2400Wc (230/110V)
<b>DC OUTPUT</b>	48V - 50A max - 100A crête (15 s.)
<b>STORAGE</b>	2400Wh LiFePO4
<b>AUTONOMY (NO SUN)</b>	20h - full amplifier power 8h - full amplifier power + artists power supply 5h - full amplifier power + artists power supply + lights

## RECHARGING FEATURES

### PIKIPSTAGE EXO MODEL

- 400Wc Photovoltaic power supply in board / MADE IN E.U. / certificate TÜV / ISO 9001

### PIKIPSTAGE LITE MODEL

- 650Wc Photovoltaic power supply weighted by steel structure / MADE IN E.U. / certificate TÜV / ISO 9001
- POWERWIST socket for solar panel charge
- POWERCON socket for main charge
- 2x 10m RADOX 4mm<sup>2</sup> cable connected by MC4
- Long life battery algorithm (Bulk - Absorption - Floating)

CHARGE	MODEL	SOLAR	MAIN
	EXO 500 - 2400	6h*	8h
	LITE 500 - 2400	4h*	8h
	EXO 1200 - 2400	6h*	4h
	LITE 1200 - 2400	4h*	4h

\* Sunny day in Europe, 46°00'N.

## STRUCTURAL FEATURES

### PIKIPSTAGE EXO MODEL

- Telescopic structure with locking pin
- Epoxy finish and treated steel exterior
- 4 wheels 100mm / 2 with brakes

#### DIMENSIONS (LXPXH)mm

Closed : 750 x 610 x 1450  
Open : 750 x 610 x 2300

#### WEIGHT

108kg each

### PIKIPSTAGE LITE MODEL

- MT-1 stacked onto Woofer VDS-T
- 2 steel standing poles
- Ground mounting system (2 solar panels)
- Gravel / Sand / Concrete weighted structure
- Galvanized steel

#### DIMENSIONS (LXPXH)mm

Stacked : 680x610x1970  
Separated : 680x610x950 & 680x370x230

#### WEIGHT

65kg each (48kg VDS-T / 14kg MT-1) + 80kg solar platform

### AEA

- Rack shock proof
- Standard 10U
- 4 wheels (2 equipped with brakes)
- Double handles / reinforced corners / ventilation grille / lockable sliding cover

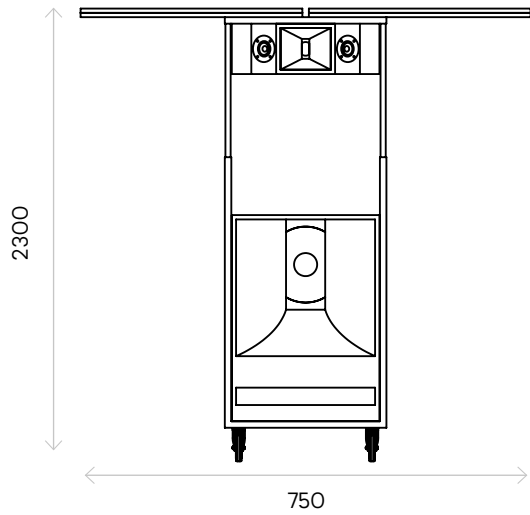
#### DIMENSIONS (LXPXH)mm

600 x 555 x 805

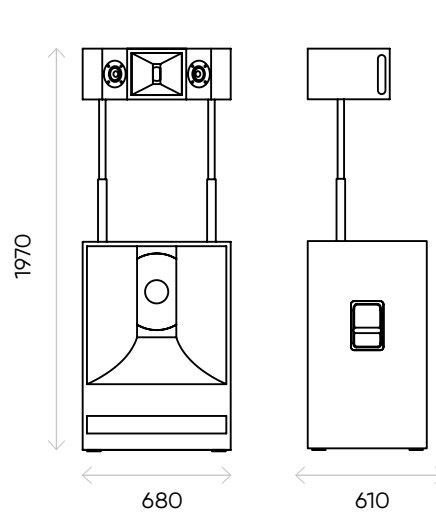
#### WEIGHT

67kg

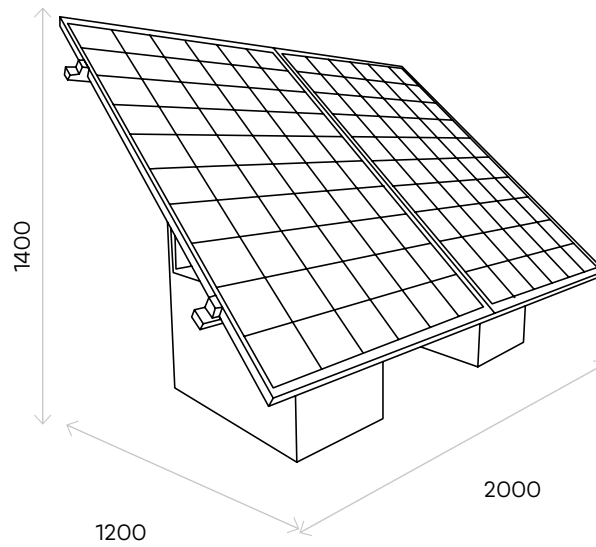
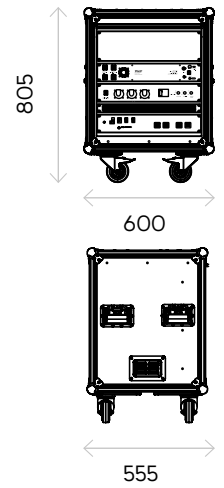
**PIKIPSTAGE EXO**



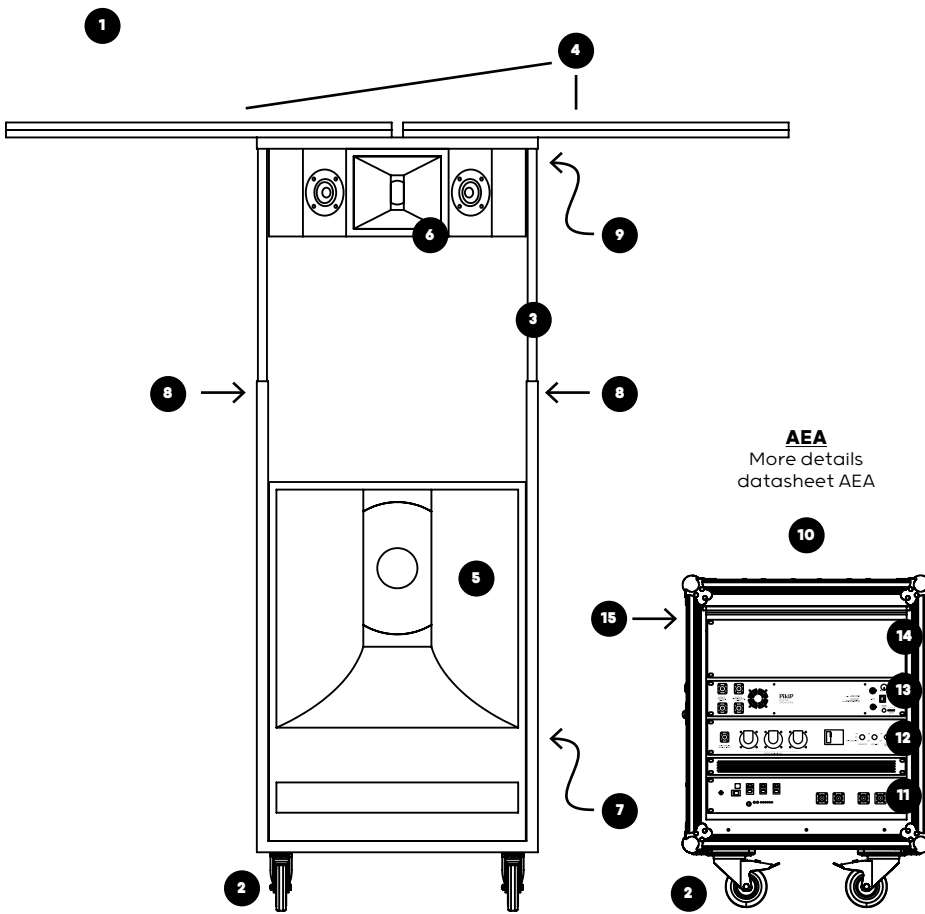
**PIKIPSTAGE LITE**



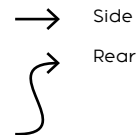
**AEA**



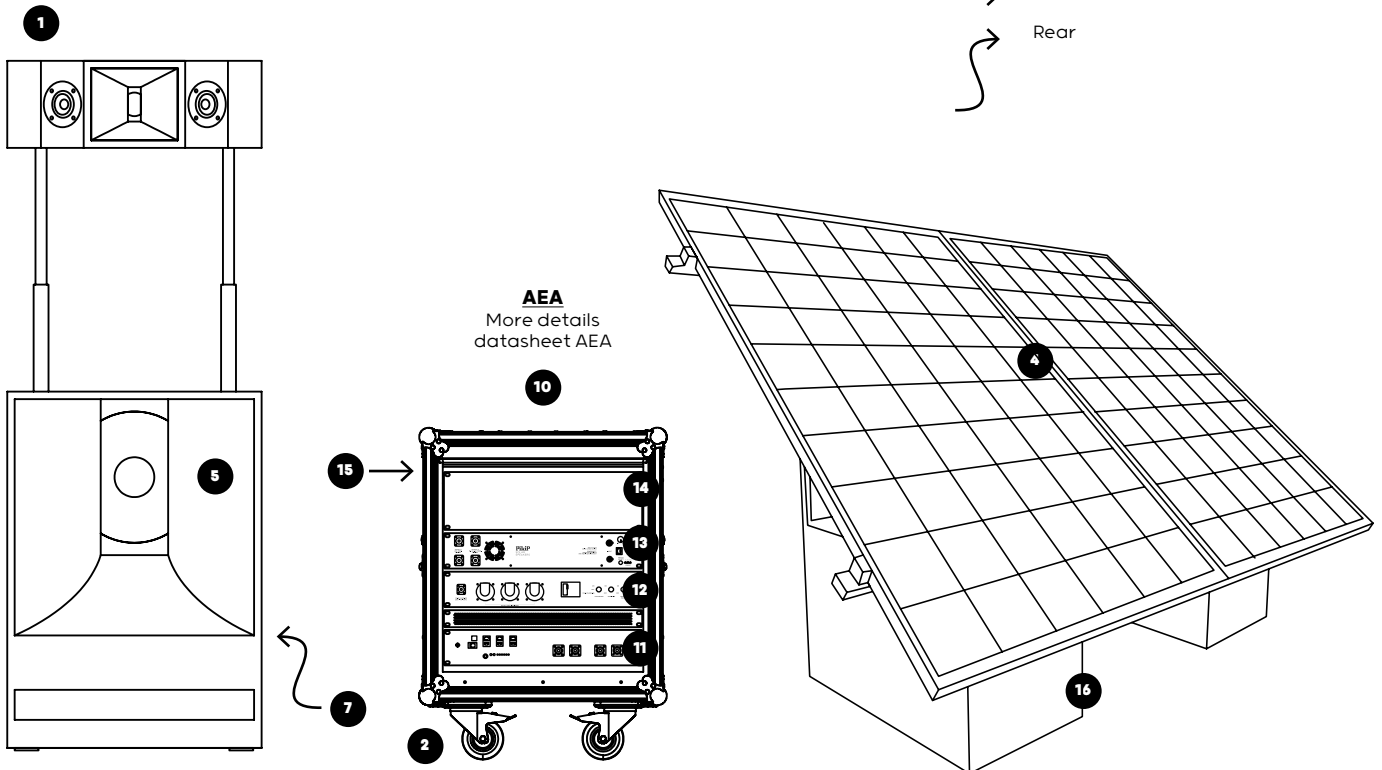
**PIKIPSTAGE EXO**

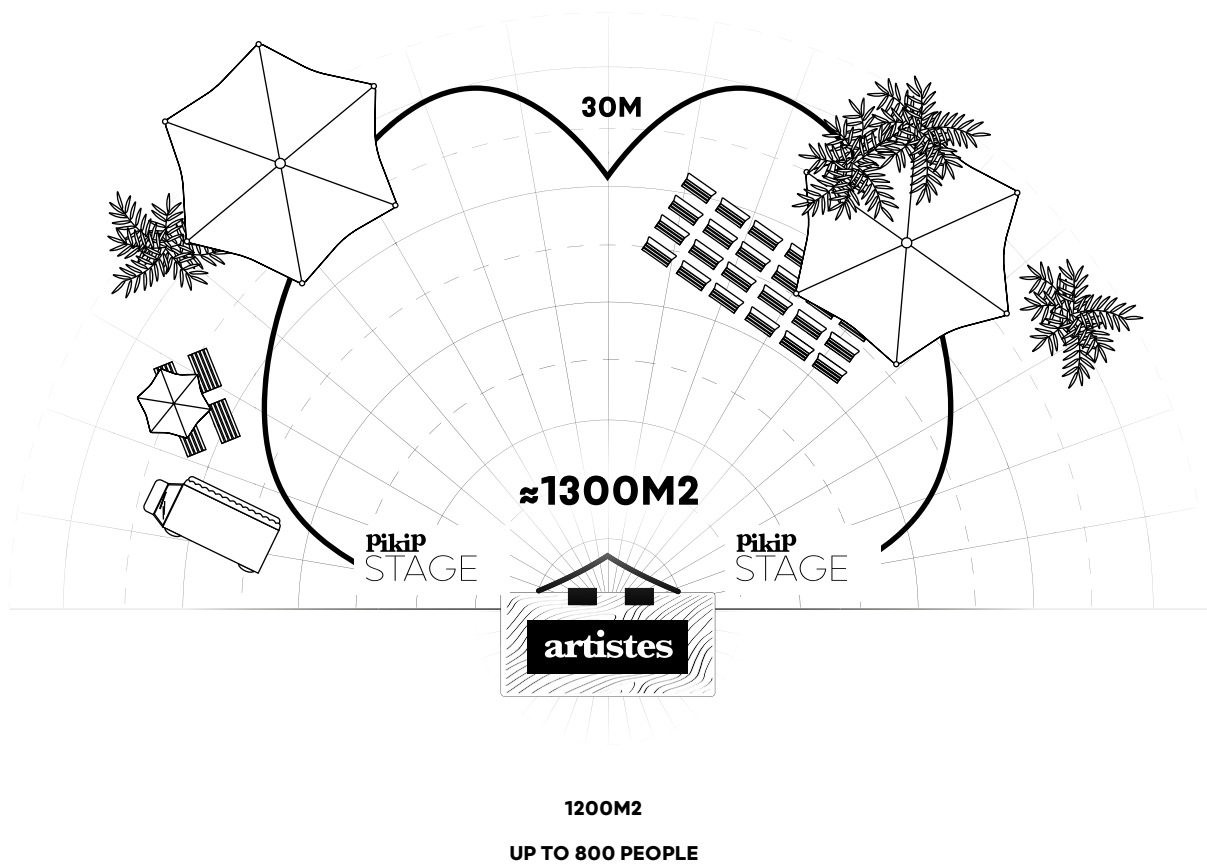


- 1 Column
- 2 Wheels
- 3 Telescopic Exoskeleton (EXO)
- 4 Solar pannels x2
- 5 Low frequency transducer (VDS-T)
- 6 Medium & high frequency transducer (MT-1)
- 7 SPEAKON INPUT
- 8 Locking pins
- 9 Solar panel plug
- 10 AEA module (cf datasheet AEA)
- 11 Battery drawer 2U
- 12 Energy drawer 2U
- 13 Amplifier drawer 2U
- 14 Free drawer 3U
- 15 Energy monitoring
- 16 Weighted structure



**PIKIPSTAGE LITE**





**Contact@pikip-solarspeakers.com**

91 av Edouard Vaillant  
93500 Pantin