
SOLUTION PIKIP BOOTH

DATASHEET

OPTIMAL USE

DJing
Off stage
Pop Up
...

OUTDOOR



ALL-IN-ONE SYSTEM

Energy, amplification and speakers in a single body.

QUICK AND EASY SET-UP

5 minutes installation

DJ BOOTH INCLUDING MONITORING

Large surface for extra equipment (mixing desks, turntables...)

ALL TERRAIN

Mobile and easily transportable

Pikip
BOOTH

ACOUSTIC FEATURES

- Full range, stand alone enclosure
- Hybrid acoustic loading: LF horn + vented enclosure, HF fully horn loaded
- Birch plywood reinforced 15mm
- 2-way active (1 way low-end + 2 way passive high-end)
- Wide covering angle
- Textured polyurethan finish

| | |
|---|--|
| FREQUENCY RESPONSE (+/-3dB) | 40-20000Hz |
| CONTINUOUS POWER HANDLING (NOMINAL PROGRAM POWER CAPACITY + 3dB) | FRONT 2540 W / RTN 330 W |
| MAX SPL (@1M, PINK NOISE 6dB CREST FACTOR) | 138dB SPL |
| NOMINAL COVERAGE ANGLE (H° X V°) -6 dB | 90° x 40° |
| TRANSDUCERS | VDS : dual 15" neo driver MT-1: 1x compression 2" driver + 2 x bullet 1,25" |

INTEGRATED AMPLIFIER & DSP FEATURES

- Green Audio Power Technology by POWERSOFT
- Class D amplifier with integrated DSP
- 2 XLR analog inputs
- 2 SPEAKON output for Auxiliary - minimum impedance 8ohm each
- Protection over-under voltage
- Protection Peak and RMS limiters customizable
- 4 acoustic presets provided
- Fully configurable with SIGMA STUDIO

| | |
|---|--|
| OUTPUT POWER (EIAJ 1kHz, 1% THD) | 3 channels / 700Wrms + 350Wrms + 350Wrms @ 4ohms |
| GAIN | 32dB |
| FREQUENCY RESPONSE (+/-3dB) | 10Hz - 20kHz @1W, 8ohms |
| SIGNAL-TO-NOISE RATIO | >113dB |
| INPUT SENSITIVITY (8 ohms) | 1,7 dBu |
| INPUT IMPEDANCE | 10K ohms |
| THD+N | <0,05 from 0,1W to full power |
| OPERATING TEMPERATURE | 0°C To 40°C / Active fan |

ENERGY SYSTEM FEATURES

- Converter - Regulator - Battery MADE IN E.U. / certificate TÜV / ISO 9001
- DC and AC output for external electrical musical device (mixing desks, turntables)
- SCHUKO plug protected by 30mA RCCB
- State of charge Controller for real time consumption and autonomy monitoring
- Bluetooth connection

| | |
|--------------------------|---|
| AC OUTPUT | 375VA - 700Wc (230 / 110V) |
| DC OUTPUT | 24V - 15A max |
| STORAGE | 2160Wh Recycled lead |
| AUTONOMY (NO SUN) | 45h - full amplifier power 10h - full amplifier power + artists power supply |

RECHARGING FEATURES

- 320Wc Photovoltaic power supply in board / MADE IN E.U. / certificate TÜV / ISO 9001
- Long life battery algorithm (Bulk - Absorption - Floating)
- Rechargeable on main grid (optional)

| | |
|------------------------------------|-----|
| SOLAR CHARGING (10 TO 100%) | 6h* |
| MAIN CHARGING (10 À 100%) | 10h |

* Sunny day in Europe, 46°00'N.

STRUCTURAL FEATURES

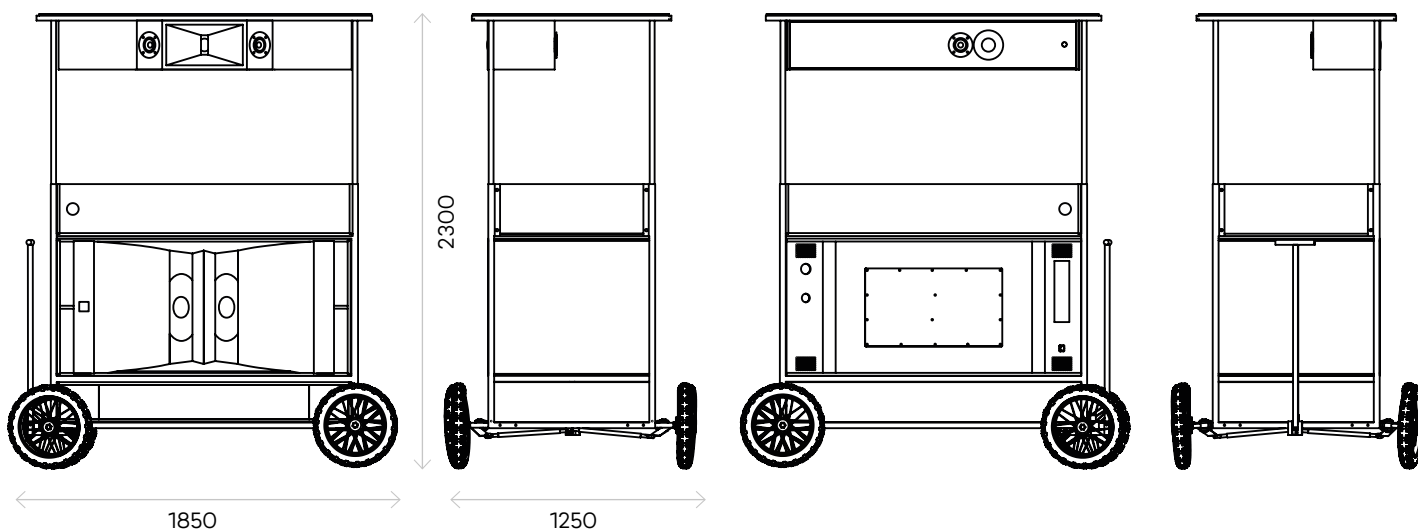
- Telescopic structure with locking pin
- Epoxy finish and treated steel exterior
- 10 inches wheels - 2 directional wheels with reinforced axle and drawbar
- DJ Platform : 1470 x 480mm
- Technical compartment under key
- Opening assistance with jacks (optional)

DIMENSION (LXDXH)mm

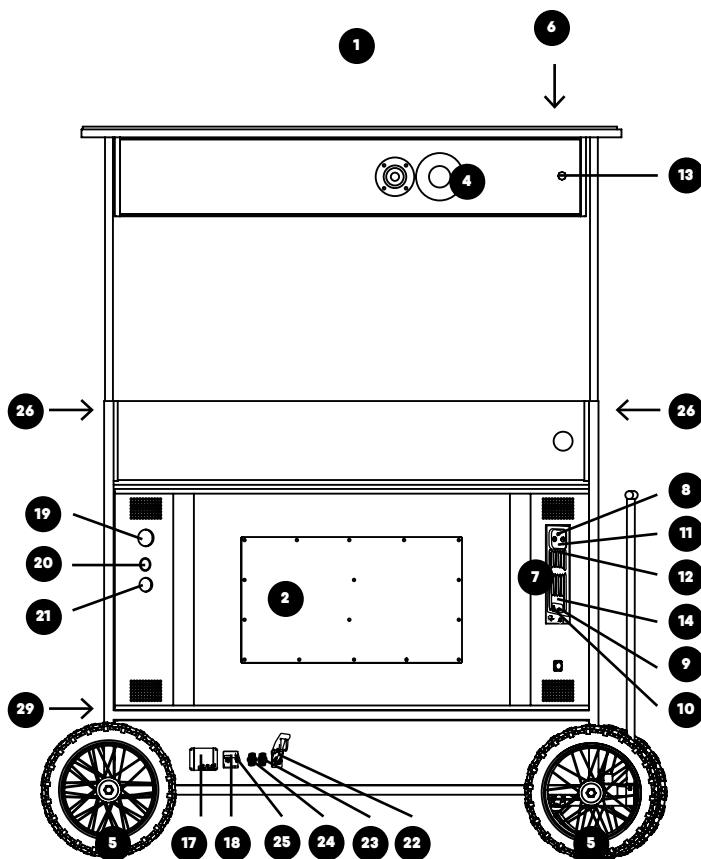
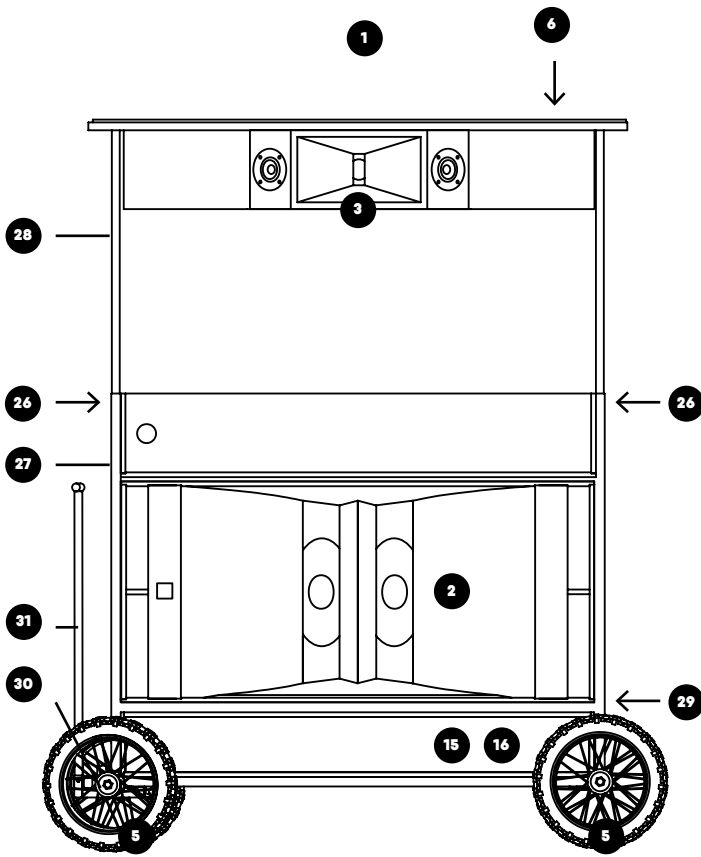
Close : 1850 x 1250 x 1460
Open : 1850 x 1250 x 2300

WEIGHT

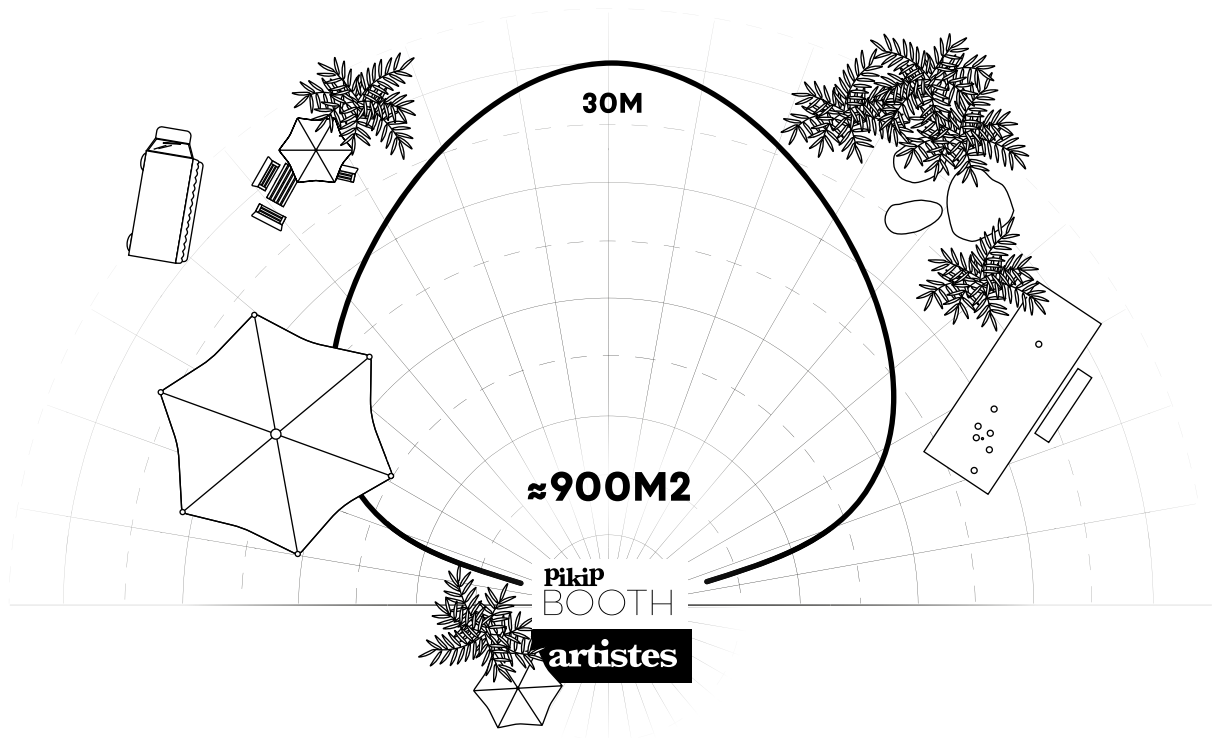
320 kg



INTERFACE UTILISATION



- 1 Pikip-Booth (system)
- 2 Low frequency transducers (WOOFER)
- 3 Medium and high frequency transducers
- 4 Monitoring
- 5 Wheels
- 6 Solar pannels
- 7 Amplifier
- 8 Main level control
- 9 Monitoring level control
- 10 Monitoring on/off
- 11 Lights (signal / clip / preset)
- 12 XLR IN x2
- 13 SPEAKON IN
- 14 SPEAKON OUT x2
- 15 Energy
- 16 AC/DC convertor
- 17 Regulator
- 18 24V DC output circuit breaker (15A)
- 19 Energy monitoring
- 20 24V DC output (360W max)
- 21 230V AC output (375W max)
- 22 Main switch
- 23 Amplifier switch
- 24 Converter switch
- 25 30mA RCCB
- 26 Locking pin
- 27 Lower chassis
- 28 Upper chassis
- 29 Traction ring
- 30 Directional axle
- 31 Drawbar



1200M2
UP TO 500 PEOPLE

Contact@pikip-solarspeakers.com

91 av Edouard Vaillant
93500 Pantin