
SOLUTION PIKIP VELOMA

DATASHEET

OPTIMAL USE

Moving Gigs
Pop Up
Public speaking
Move on site
Parade

OUTDOOR



MOBILITY

Bike-towed energy self-sufficient speaker

POWER GENERATOR

Enjoy solar generated power riding or on site

INTEGRATED SOLAR PANELS

Continuous charge - retractable

MOTORIZED TRAILER

Inertia braking and controller - up to 300kg

TOTAL WIDTH INFERIOR TO 1M

Compatible with any street

ACOUSTIC FEATURES

- Full range, stand alone enclosure
- Hybrid acoustic loading: LF horn + vented enclosure, HF fully horn loaded
- reinforced 15mm birch plywood
- Left & Right
- Wide homogeneous covering area
- Textured polyurethan finish

FREQUENCY RESPONSE (+/-3dB)	45-20000Hz
CONTINUOUS POWER HANDLING (NOMINAL PROGRAM POWER CAPACITY + 3dB)	1540W
MAX SPL (@1M, PINK NOISE 6DB CREST FACTOR)	132dB SPL
NOMINAL COVERAGE ANGLE (H° X V°) -6 dB	60° x 40°
TRANSDUCERS	VDS-T : 1x neodymium high output driver 15'' MT-1: 1x compression driver 2'' + 2 x bullet 1,25''

INTEGRATED AMPLIFIER & DSP FEATURES

- Green Audio Power Technology by POWERSOFT
- Amplifier class D with integrated DSP
- 2 XLR analog input
- 2 SPEAKON per channel - minimum impedance 4ohm each
- Protection over-under voltage
- Protection Peak and RMS limiters customizable
- 4 acoustic presets provided (custom preset option available)
- Fully configurable with ArmoniaPlus

OUTPUT POWER (EIAJ 1kHz, 1% THD)	2 channel mode - 2x400Wrms @8ohms
GAIN	26dB
FREQUENCY RESPONSE (+/-1dB)	20Hz - 33kHz @1W, 8ohms
SIGNAL-TO-NOISE RATIO	>113dB
INPUT SENSITIVITY (8 ohms)	1,7 dBU
INPUT IMPEDANCE	10k ohms
THD+N	<0,08 from 0,1W to half power
OPERATING TEMPERATURE	0°C to 40°C / Active fan

ENERGY SYSTEM FEATURES

- Converter - Regulator - Battery MADE IN E.U. / certificate TÜV / ISO 9001
- DC and AC output for external electrical musical device (mixing desks, turntables)
- 3x SCHUKO plugs protected by 30mA RCCB
- State of charge controller for real time consumption and autonomy monitoring
- Bluetooth connection

AC OUTPUT	500VA - 900Wc
DC OUTPUT	48V - 50A max / 100A crête (15 s.)
STORAGE	2400Wh LiFePO4
AUTONOMY (NO SUN)	20h - full amplifier power 8h - full amplifier power + artists power supply 50km & 6h sound parade

RECHARGING FEATURES

- 2x100Wc Photovoltaic power supply with steel structure / MADE IN E.U. / certificate TÜV / ISO 9001
- POWERWIST socket for solar panel charge
- POWERCON socket for main charge
- Long life battery algorithm (Bulk - Absorption - Floating)

CHARGE	VERSION	SOLAR	MAIN
	VELOMA 500 - 2400	12h*	8h

* Sunny day in Europe, 46°00'N.

STRUCTURE

TRAILER

- Stainless steel welded trailer 304 or 316
- 3 wheels 20" steel axle 15mm / spoke 13g / rim Kargo mach 1 (french made)
- Electric motor 1200W - 48V
- Ball joint universal saddle tie / aluminium mudguard
- Hand V-Brake / Stainless steel brakes
- Non-slip wooden platform

DIMENSIONS (LXPXH)mm	1000x2360x730
WEIGHT	30kg
MAXIMUM CHARGE	300kg

ACOUSTICS

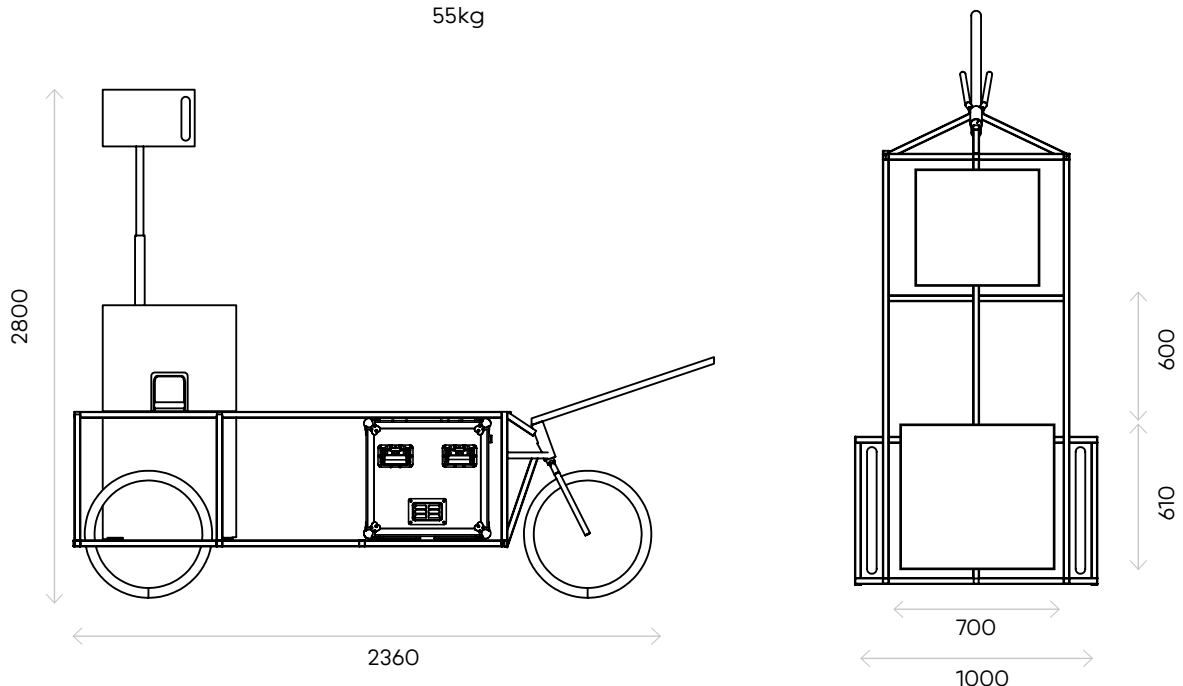
- MT-1 stacked onto Woofer VDS-T
- 2 steel standing poles

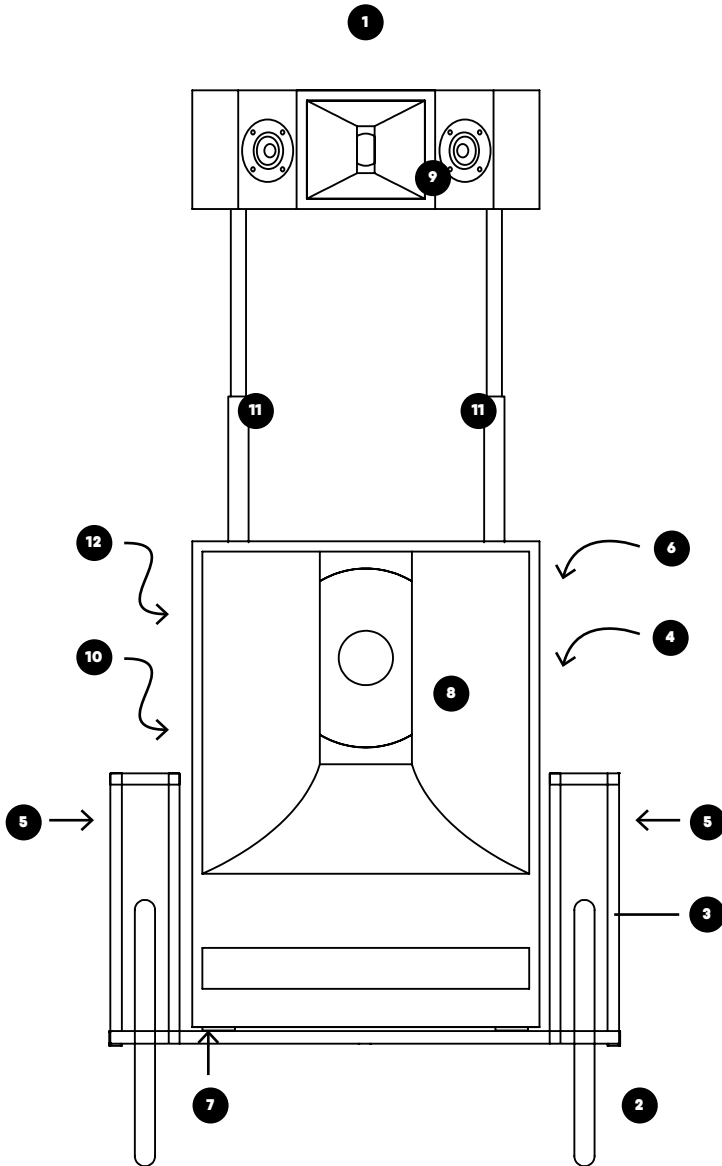
DIMENSIONS (LXPXH)mm	Stacked : 680x610x1970 Separate : 680x610x950 & 680x370x230
WEIGHT	65kg each column (48kg VDS-T / 14kg MT-1)

AEA

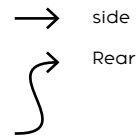
- Rack shock proof
- Standard 10U
- 4 wheels (2 equipped with brakes)
- Double handles / reinforced corners / ventilation grille / lockable sliding cover

DIMENSIONS (LXPXH)mm	600 x 555 x 805
WEIGHT	55kg

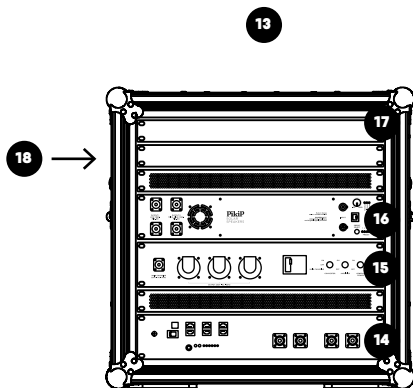


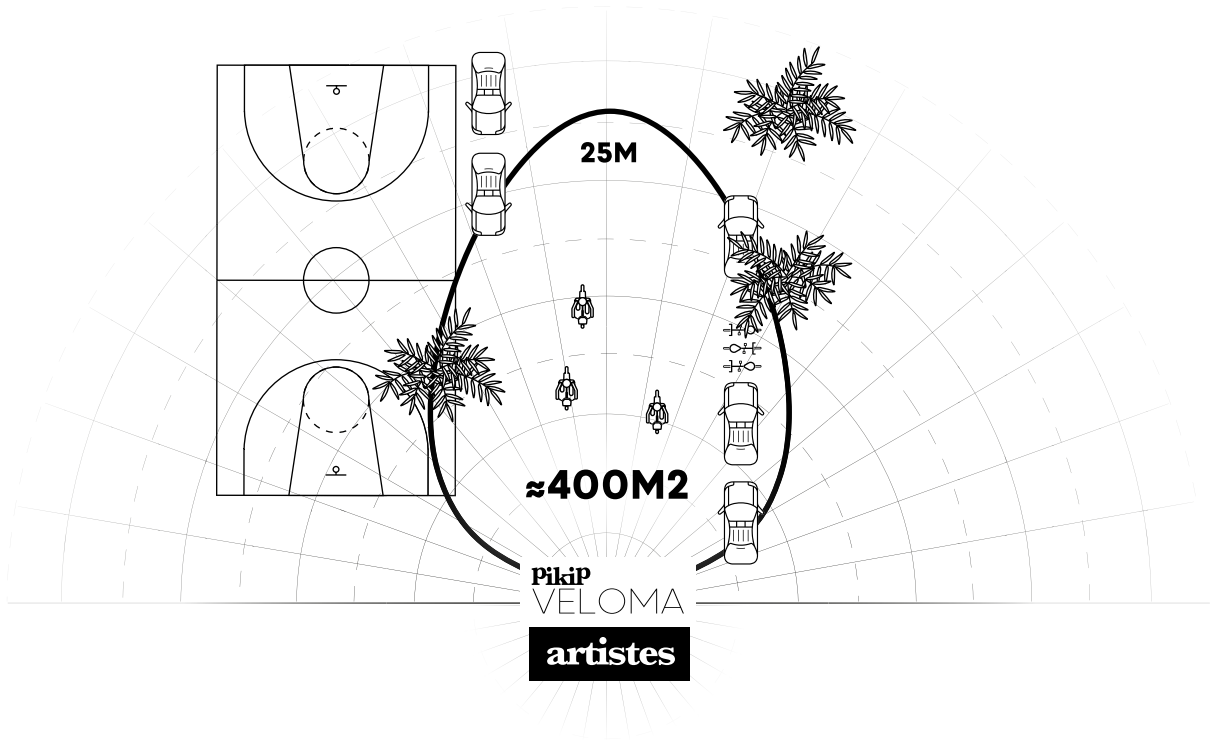


- 1 Column Lite
- 2 Reinforced wheels 14''
- 3 Stainless steel trailer
- 4 1200W motor
- 5 Solar panel x2
- 6 Ball joint universal saddle tie
- 7 Non-slip wooden plateform
- 8 Low frequency transducer (VDS-T)
- 9 Medium & high frequency transducer (MT-1)
- 10 SPEAKON INPUT
- 11 Locking pins
- 12 Solar panel plug
- 13 AEA module (cf datasheet AEA)
- 14 Battery drawer 2U
- 15 Energy drawer 2U
- 16 Amplifier drawer 2U
- 17 Free drawer 3U
- 18 Energy monitoring



AEA
Plus de detail
Fiche technique AEA





400M2

UP TO 300 PEOPLE

Contact@pikip-solarspeakers.com

91 av Edouard Vaillant
93500 Pantin