

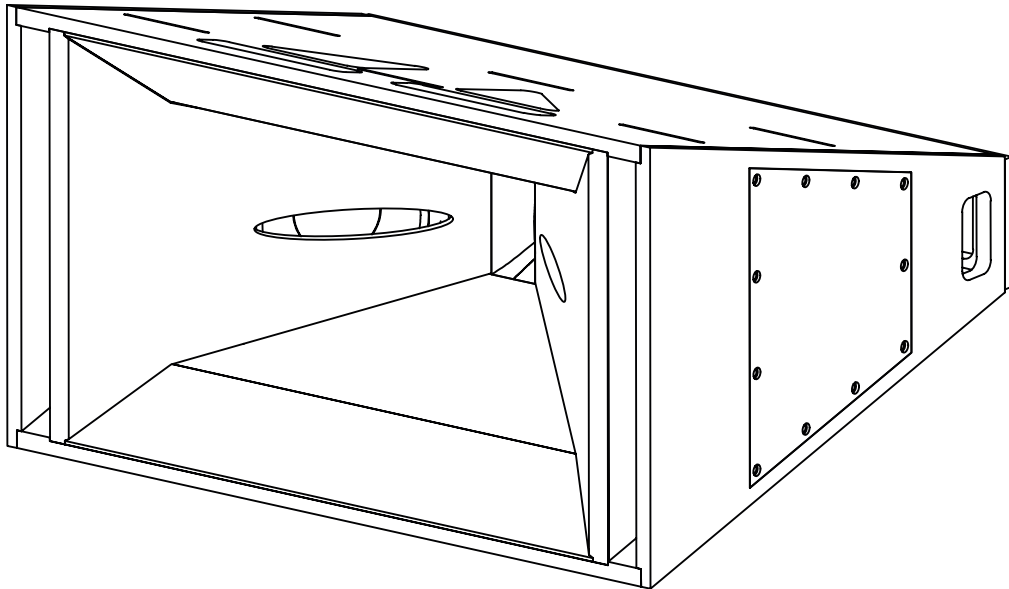
MODULE LARGE BANDE **VCH30**

DATSHEET

73 w

At 102 dBA
equivalent*

< 150 W	A +
150 à 300 W	A
301 à 500 W	B
501 à 1000 W	C
1001 à 1500 W	D
>1500 W	E



VCH30



**CONSTANT
CURVATURE**



WIDE BAND



**CONSTANT
DIRECTIVITY**



MID-RANGE

CONSTANT CURVATURE

Directivity varies with the number of modules.

CONSTANT DIRECTIVITY

90° x 30° conical-exponential horn..

2-WAY PASSIVE FILTERING

Two 8" speakers + 1,4" compression driver

TOURING DESIGN

Hanging and rigging system,
tiltable base, mast sockets.

CARACTÉRISTIQUES

ACOUSTICS :

The VCH30 is a constant curvature (or curvilinear) speaker designed to be modular. It can be used with one or more VTL118 subwoofers, either mounted on a pole or placed directly on the ground, depending on the needs.

Thanks to its conical-exponential horn, which ensures constant directivity control at 90° horizontally and 30° vertically, it provides a wide and even sound distribution for the audience while limiting unnecessary energy dispersion on walls.

It can be used as a main sound system with one, two, or three units to adapt to various venue geometries. When used in combination, the vertical directivities add up to reach 60° (with 2 units) or 90° (with 3 units).

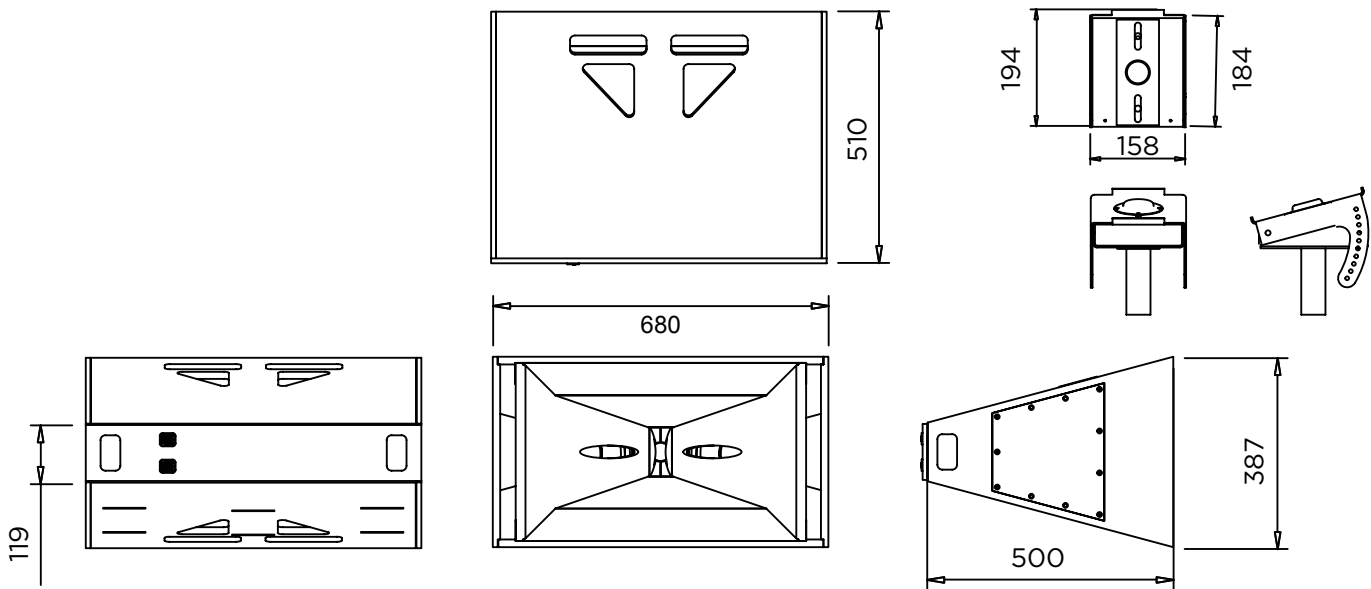
Its horn and two high-efficiency 8-inch speakers ensure outstanding performance in a compact volume, resulting in low transducer heating, reduced amplification requirements, and increased autonomy.

MÉCANIQUE :

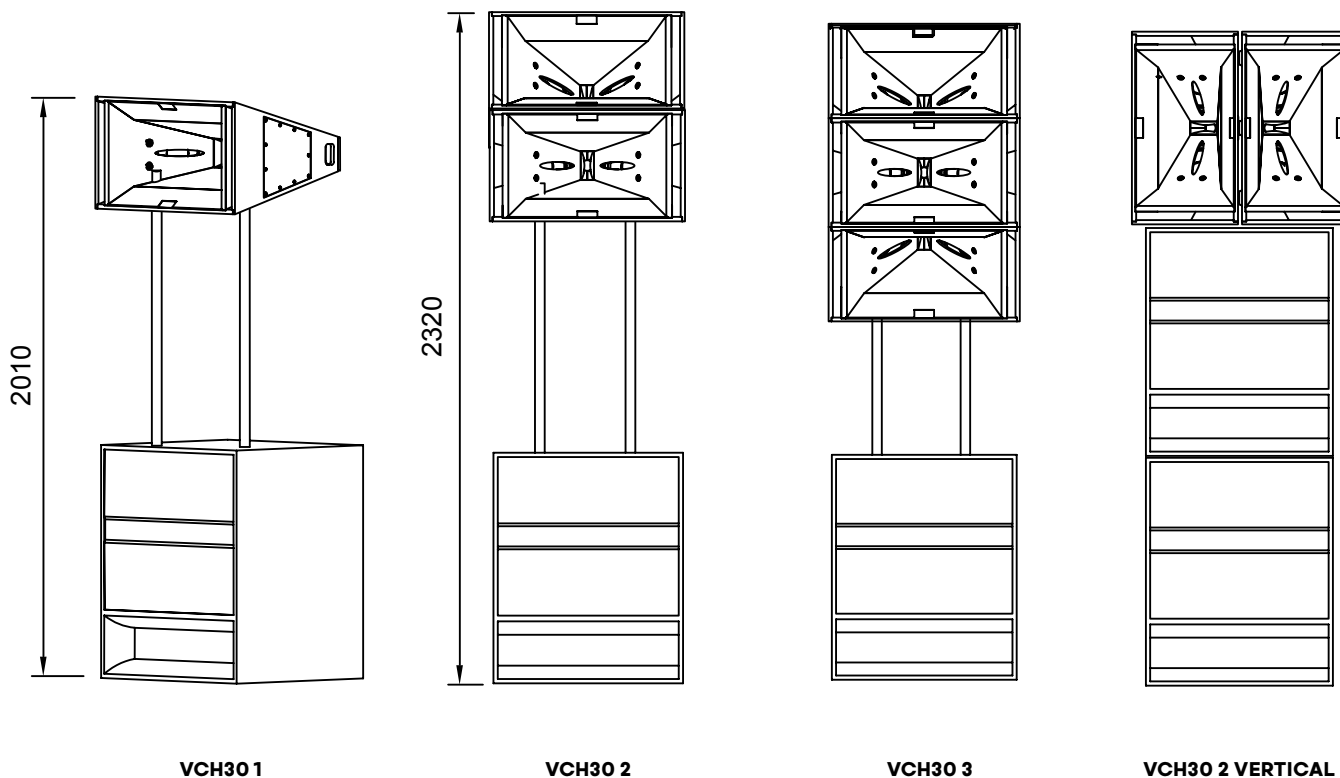
The VCH30 speaker features a steel rigging system, including a tiltable plate and inter-speaker links.

The tiltable plate can be mounted on a pole or directly on VTL118 subwoofers to adjust the height and allows for vertical orientation from -15° to +30°.

The inter-speaker links are secured with locking pins.



TYPE	Constant curvature wideband, vented horn
TRANSDUCERS	Two 8" speakers, 51 mm voice coil - ferrite 1.4" compression driver, 100 mm voice coil - neodymium Asymmetrical passive filtering
FREQUENCY RESPONSE	85 - 18 000 Hz (+/- 3 dB)
POWER	600 W, LF / 240 W, HF (nominal power +3dB)
ACOUSTIC EFFICIENCY	73 W (at 102dBA equivalent*)
SENSITIVITY	103 dB (at 1 W, 1 m, LF) / 112 dB (at 1 W, 1 m, HF) 99 dB (at 2 V, 1 m, LF) / 110 dB (at 2 V, 1 m, HF)
MAX SPL	132 dB (1 m, pink noise, 6 dB crest factor)
DISPERSION	90° x 30° (H° X V° / -6 dB)
IMPEDANCE	16 ohm
DIMENSIONS (LXPXH)mm	680x540x380
WEIGHT	22 kg
OTHER	2x Embase mat 35mm / 2x Speakon 4pt.



ETIQUETTE EFFICACITÉ ACOUSTIQUE

*The figure given represents the electrical power dissipated by the speaker to generate over its bandwidth a sound level equivalent to 102 dBA with a pink noise input. For calculation purposes, the speaker is considered being part of an equalized system with absolutely flat response from 20 Hz to 20 kHz.

The calculation method is linear and does not take into account high power non-linear phenomena. Calculation details are available in the paper Quantifying Loudspeakers' Power Consumption, published in the AES journal (July/August 2022, Vol 70 no 7/8).



PASSIVE SPEAKERS



*The figure given represents the electrical power dissipated by the speaker to generate over its bandwidth a sound level equivalent to 102 dBA with a pink noise input. For calculation purposes, the speaker is considered being part of an equalized system with absolutely flat response from 20 Hz to 20 kHz.

The calculation method is linear and does not take into account high power non-linear phenomena. Calculation details are available in the paper Quantifying Loudspeakers' Power Consumption, published in the AES journal (July/August 2022, Vol 70 no 7/8).