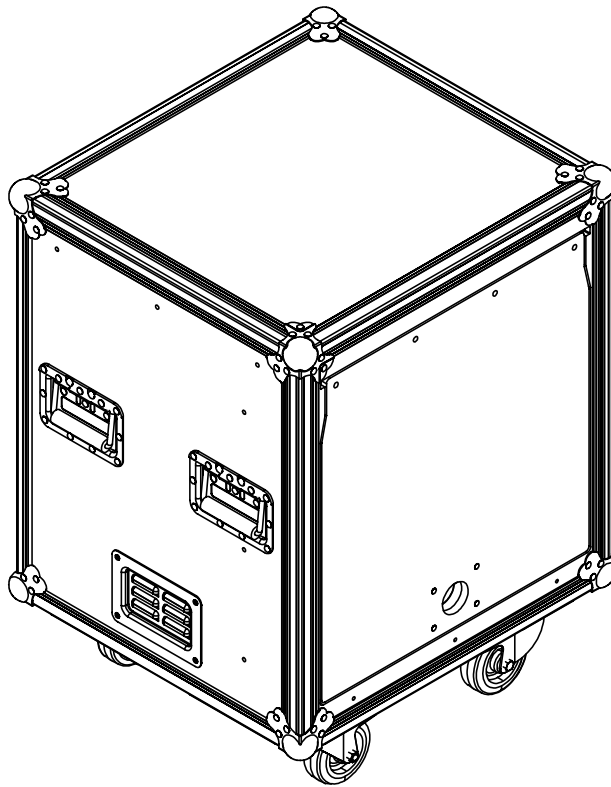


---

**MODULE AEA**

---

**DATASHEET**



# AEA

Amplification  
Énergie  
Autonomy



**TOTAL  
AUTONOMY**



**STORES  
ENERGY**



**PROVIDES  
ENERGY**



**OPEN  
DSP**

**BATTERY-POWERED GENERATOR**

Total autonomy for any equipment

**AMPLIFIER & DSP**

Patented power optimization technology

**SIMPLIFIED SETUP**

DC/AC generator and amplifiers in a single rack

**HYBRID CHARGE**

Rechargeable through solar or grid power

**MARKET STANDARDS COMPATIBLE**

Configurable DSP for market-standard speakers

**DESIGNED FOR TOURING**

Rack format on wheels familiar to technicians

## INTEGRATED AMPLIFIER & DSP FEATURES

- Patented DUAL ARCHITECTURE POWER SUPPLY technology by PikiP
- Class D amplifier with integrated DSP
- 2 or 4 XLR analog inputs
- SPEAKON output - minimum impedance 4 ohm per channel
- Protection over-under voltage
- Protection Peak and RMS limiters customizable
- 8 presets selectable on the front panel and PC interface
- Fully configurable

<b>OUTPUT POWER (EIAJ 1kHz, 1% THD)</b>	4 to 16 channels 700 W RMS @8 ohms (EIAJ 1 kHz, 1% THD)
<b>GAIN</b>	30 dB
<b>FREQUENCY RESPONSE</b>	23 Hz - 33k Hz @1W, 8 ohms (+/-3 dB)
<b>SIGNAL-TO-NOISE RATIO</b>	>106 dB
<b>MAX INPUT LEVEL</b>	15,7 dBu
<b>INPUT IMPEDANCE</b>	10k ohms
<b>OUTPUT IMPEDANCE</b>	50m ohms (<1k Hz)
<b>MAX VOLTAGE</b>	105 V
<b>THD+N</b>	<0,08 from 0,1 W to half power
<b>OPERATING TEMPERATURE</b>	-10°C to 50°C / Active fan

## ENERGY SYSTEM FEATURES

- Designed for touring: all electronics in single rack
- Converter, regulator, and VICTRON monitoring made in Europe / TÜV certified / ISO 9001
- TNS neutral system
- AC outputs for technical equipment (mixing desk, turntables, effects...)
- Next-generation LiFePO4 batteries with secure BMS
- **ESS (Energy Storage System) function** > automatically switch connections to the electrical grid (injection or withdrawal) based on battery charge status or power demands.
- **UPS (Uninterruptible Power Supply) function** > instantly switch to battery in case of power outage.
- **Power Assist function** > Create 32A from a 16A! Avoid overloading a limited mains source by supplementing power from the batteries.
- 3 SCHUKO sockets equipped with 30mA RCD
- State-of-charge gauge for real-time control of power consumption and autonomy
- Supervision via Web Portal (4G) / LCD Screen / Smartphone (Bluetooth) / Audible Alarm

<b>AC OUTPUT POWER</b>	1200 W - 2400 Wc per AEA
<b>STORAGE</b>	3500 Wh LiFePO4 per AEA
<b>AUTONOMY (NO SUN)</b>	20 h - full amplifier power 8 h - full amplifier power + artists power supply

## RECHARGING FEATURES

- POWERWIST socket for solar pannel charge
- POWERCON socket for main charge
- Long life battery algorithm (Bulk - Absorption - Floating)

<b>SOLAR CHARGING (10 TO 100%)*</b>	6h
<b>MAIN CHARGING (10 À 100%)</b>	6h

\* With one solar platform during clear summer weather in metropolitan France

## STRUCTURE

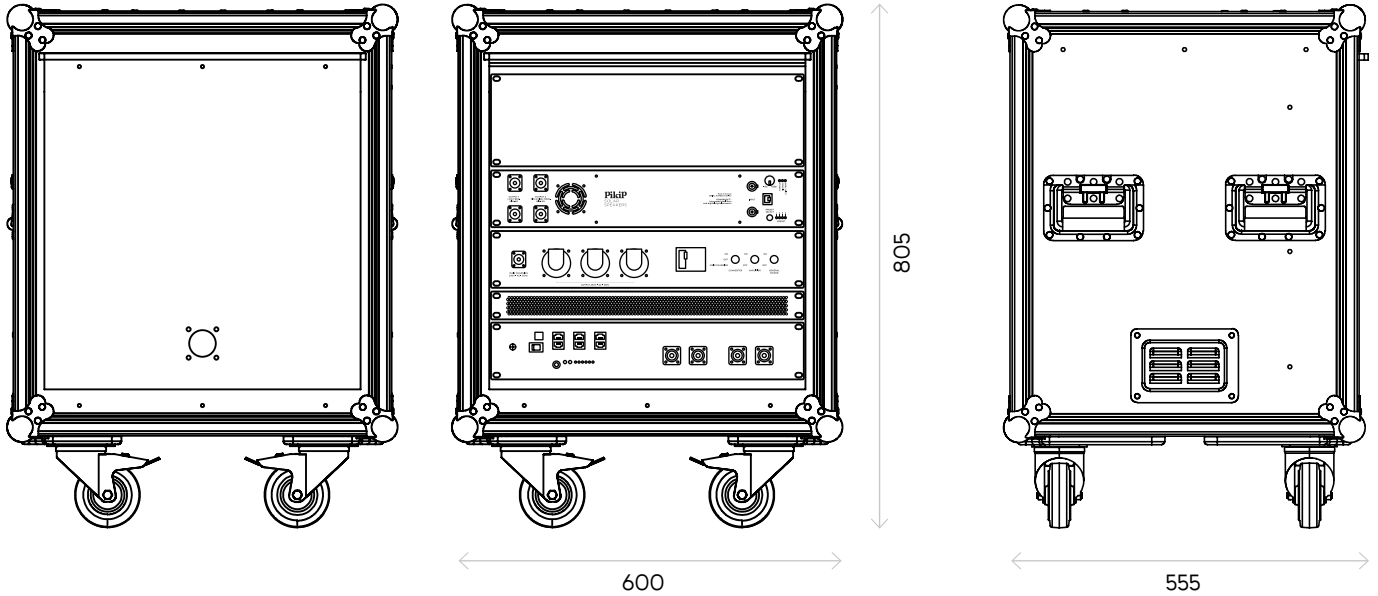
- Rack shock proof
- Standard 10 U
- 4 wheels (2 equipped with brakes)
- Double handles / reinforced corners / ventilation grille / lockable sliding cover

### DIMENSIONS (LXPXH)mm

600 x 555 x 805

### WEIGHT

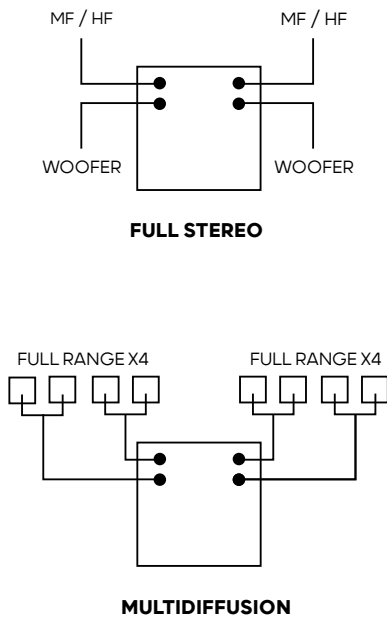
80kg



## COMPATIBILITY

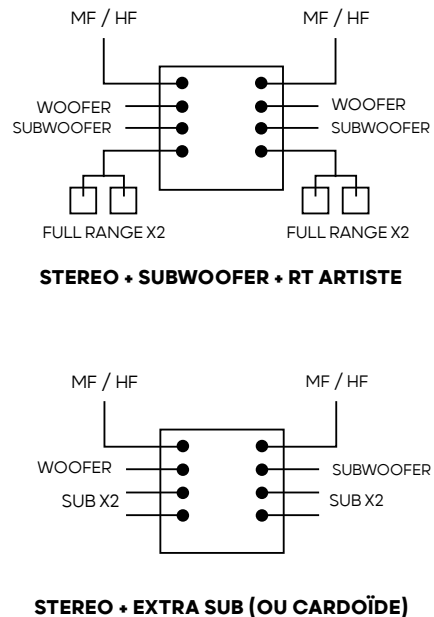
### 4 CHANNEL MODE

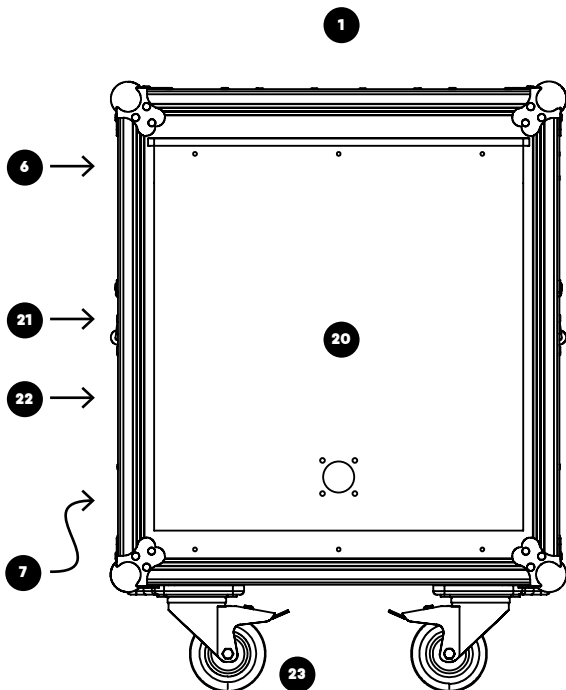
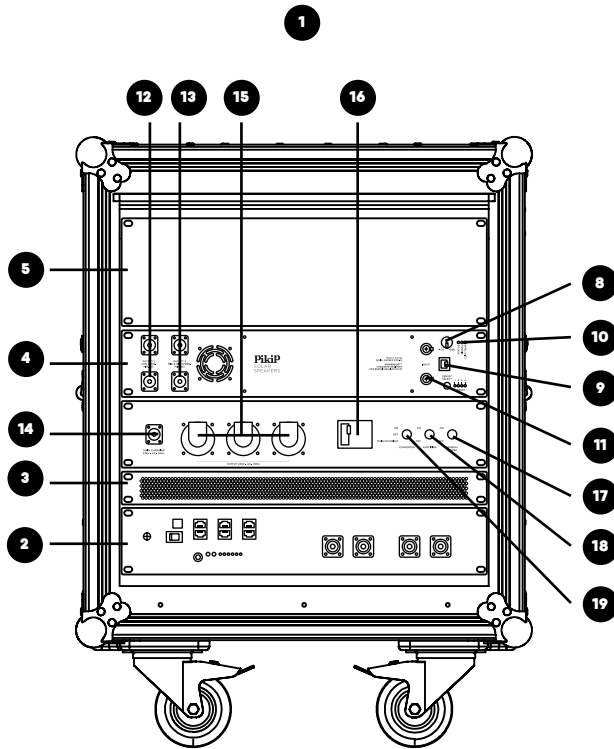
4x700 Wrms @8 ohms



### 8 CHANNEL MODE

8x700 Wrms @8 ohms





- 1 AEA
- 2 Battery drawer 2U
- 3 Energy drawer 2U
- 4 Amplifier drawer 2U
- 5 Free drawer
- 6 Energy monitoring
- 7 Solar connectors x2
- 8 Main level control
- 9 USB plug (DSP control)
- 10 Lights (Status / temp / clip)
- 11 XLR IN x2
- 12 SPEAKON OUT LF x2
- 13 SPEAKON OUT HF x2
- 14 POWERCON INPUT (main charging)
- 15 AC OUT SCHUKO (type E) x3
- 16 30mA RCCB
- 17 General switch
- 18 Amplifier switch
- 19 Converter and charger switch
- 20 Lockable sliding door
- 21 Handles
- 22 Ventilation grille
- 23 Wheels

