

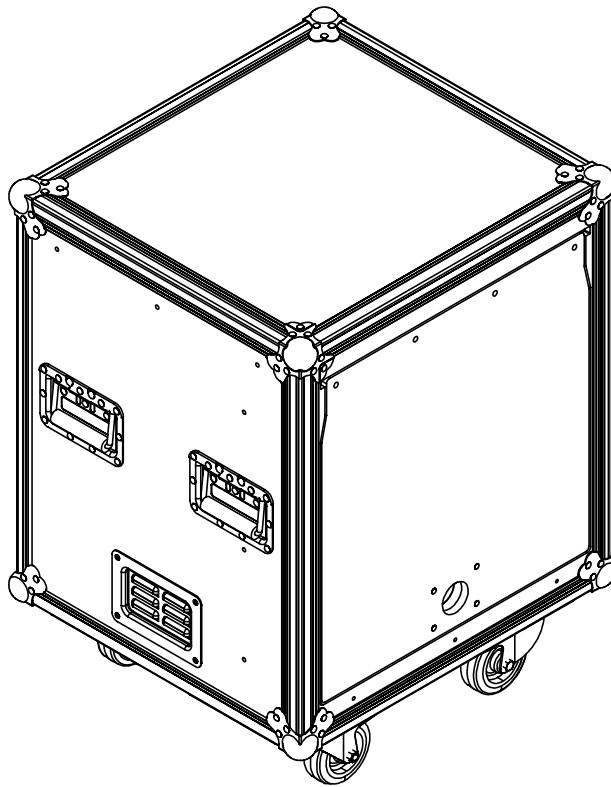
MODULE ENERGY SE

DATASHEET

COMPATIBILITY

ANY electrical
devices

ANY amplifiers on the
market



SE

Station Énergie / Energy Station



**TOTAL
AUTONOMY**



**STORES
ENERGY**



**PROVIDES
ENERGY**

BATTERY-POWERED GENERATOR

High AC power available anywhere

DESIGNED FOR TOURING

Rack format on wheels familiar to technicians

POWER STACKING

Up to 32 A three-phase available

GRID SWITCHING

Automated grid injection and withdrawal

HYBRID RECHARGE

Rechargeable through solar or grid power

MAINTENANCE-FREE

Reliability from European leaders

ENERGY SYSTEM FEATURES

- Designed for touring: all electronics in single rack
- Converter, regulator, and VICTRON monitoring made in Europe / TÜV certified / ISO 9001
- TNS neutral system
- Residual Current Device (RCD) / Isolator / Emergency Stop
- AC outputs for technical equipment (mixing desk, turntables, effects...)
- Next-generation LiFePO4 batteries with secure BMS
- **ESS (Energy Storage System) function** > automatically switch connections to the electrical grid (injection or withdrawal) based on battery charge status or power demands.
- **UPS (Uninterruptible Power Supply) function** > instantly switch to battery in case of power outage.
- **Power Assist function** > Create 32A from a 16A! Avoid overloading a limited mains source by supplementing power from the batteries.
- 3 SCHUKO sockets equipped with 30mA RCD
- State-of-charge gauge for real-time control of power consumption and autonomy
- Supervision via Web Portal (4G) / LCD Screen / Smartphone (Bluetooth) / Audible Alarm

	SE 3000	SE 5000	SE 10000
NOMINAL CURRENT	10 A	16 A	32 A
NOMINAL POWER	3000 VA	5000 VA	10000 VA
PEAK POWER	5500 Wc	9000 Wc	18000 Wc
STORAGE	5120 Wh	9600 Wh	10200 Wh
FUNCTION	Triphasé / ESS / UPS / Power Assist		
CONNECTOR	3x PC16 POWERCON / ANDERSON	3xPC16 + P17 32 A POWERCON / ANDERSON	3xPC16 + P17 32 A POWERCON / ANDERSON
AUTONOMY (NO SUN) FOR 500 W	10h	20h	20h
AUTONOMY (NO SUN) FOR 2000 W	2,5h	5h	5h

CHARGING FEATURES

- 800 Wp Photovoltaic Power Supply on weighted aluminum structure / made in Europe / TÜV certified / ISO900 certificate
- ANDERSON 50 A inputs for photovoltaic recharge
- POWERCON 16 A inputs for mains recharge
- 2x15 m of 3G4 cable (2P+PE) with MC4 connector and M6 terminal for equipotential bonding
- Long Life Batteries Algorithm (Bulk - Absorption - Floating)

PHOTOVOLTAIC POWER	800 Wc cumulative (1600 Wc - 2400 Wc - 3200 Wc - ect.)		
SOLAR CHARGING (10 TO 100%)*	4h	6h	6h
MAIN CHARGING (10 À 100%)	2h	FAST 2h	FAST 2h

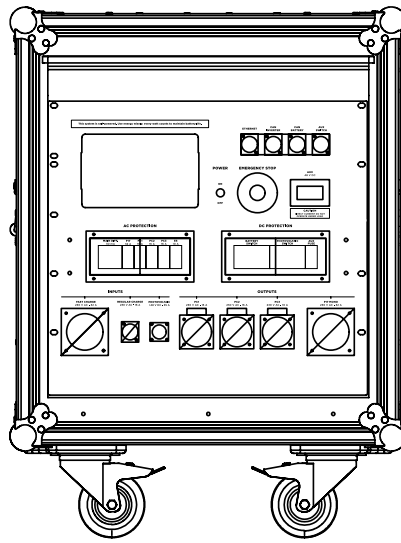
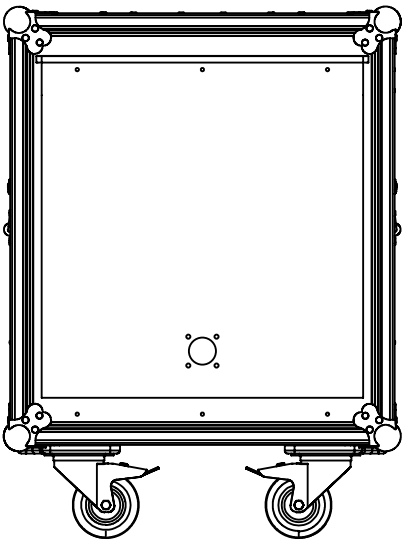
*Avec 2 plateformes solaires en été par temps clair en France métropolitaine

STRUCTURAL FEATURES

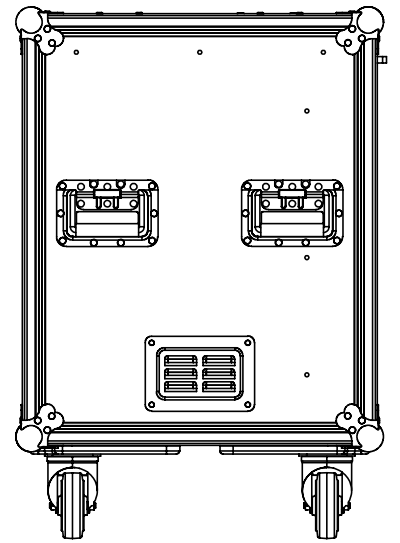
POWER SOURCE

- 19" rack mounted on shock-absorbing silent blocks
- Standard size 6U to 14U
- 4 wheels 100 mm, 2 with brakes
- Double handles / reinforced corners / ventilation grille / lockable sliding cover

	SE 3000	SE 5000	SE 10000
DIMENSIONS (LXPXH)mm	600 x 730 x 630	600 x 730 x 720	600 x 730 x 810
WEIGHT	80 kg	100 kg	140 kg



600



730