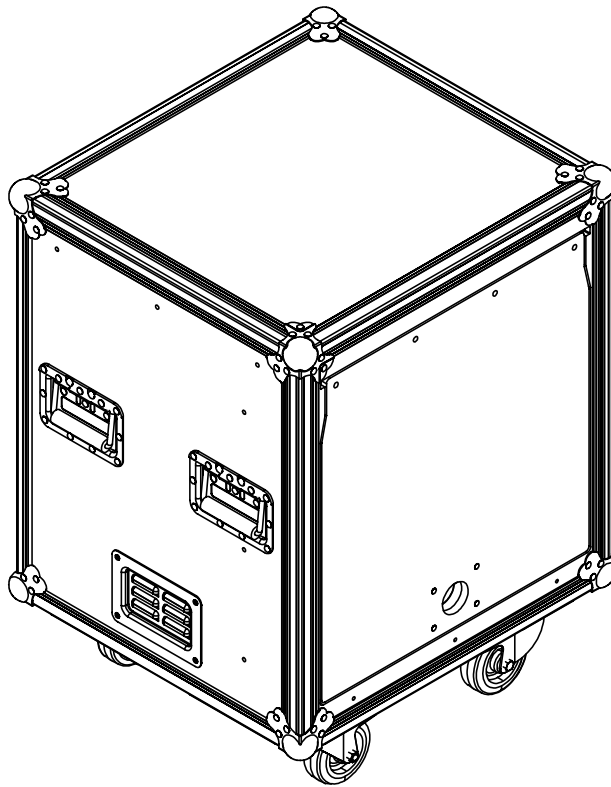

MODULE AEA

DATASHEET



AEA
Amplification
Énergie
Autonomy

VERSATILE

Makes your installations self-sufficient

AUTONOMOUS TOURING AMPLIFIER & DSP

Total independence

AC GENERATOR

230V output for any type of device

HYBRID CHARGE

Solar panels or main

MARKET STANDARDS COMPATIBLE

Simplified logistics

INTEGRATED AMPLIFIER & DSP FEATURES

- Patented DUAL ARCHITECTURE POWER SUPPLY technology by PikiP
- Class D amplifier with integrated DSP
- 2 XLR analog inputs
- SPEAKON - minimum impedance 4ohm per channel
- Protection over-under voltage
- Protection Peak and RMS limiters customizable
- 4 acoustic presets provided (custom preset option available)
- Fully configurable

OUTPUT POWER (EIAJ 1kHz, 1% THD)	4 channel mode - 4x500Wrms @8ohms 6 channel mode - 6x400Wrms @8ohms 8 channel mode - 8x400Wrms @8ohms
GAIN	34dB
FREQUENCY RESPONSE (+/-3dB)	20Hz - 33kHz @1W, 8ohms
SIGNAL-TO-NOISE RATIO	>113dB
INPUT SENSITIVITY (8 ohms)	1,7 dBu
INPUT IMPEDANCE	10k ohms
THD+N	> 0,08 from 0,1W to half power
OPERATING TEMPERATURE	0°C to 40°C / Active fan

ENERGY SYSTEM FEATURES

- Converter - Regulator - Battery MADE IN E.U. / certificate TÜV / ISO 9001
- DC and AC output for external electrical musical device (mixing desks, turntables)
- 3x SCHUKO plugs protected by 30mA DDR
- State of charge Controller for real time consumption and autonomy monitoring
- Bluetooth Smart Phone connection

AC OUTPUT	500VA - 900Wc or 1200VA - 2400Wc (230/110V)
DC OUTPUT	48V - 50 A max / 100A peak (15 s.)
STORAGE	2400Wh LiFePO4 (4800Wh option)

RECHARGING FEATURES

- POWERWIST socket for solar pannel charge
- POWERCON socket for main charge
- Long life battery algorithm (Bulk - Absorption - Floating)

CHARGE	VERSION	2 PV	4 PV	MAIN
	1200 - 2400	4h*	2h*	4h

*Sunny day in Europe, 46°00'N.

STRUCTURE

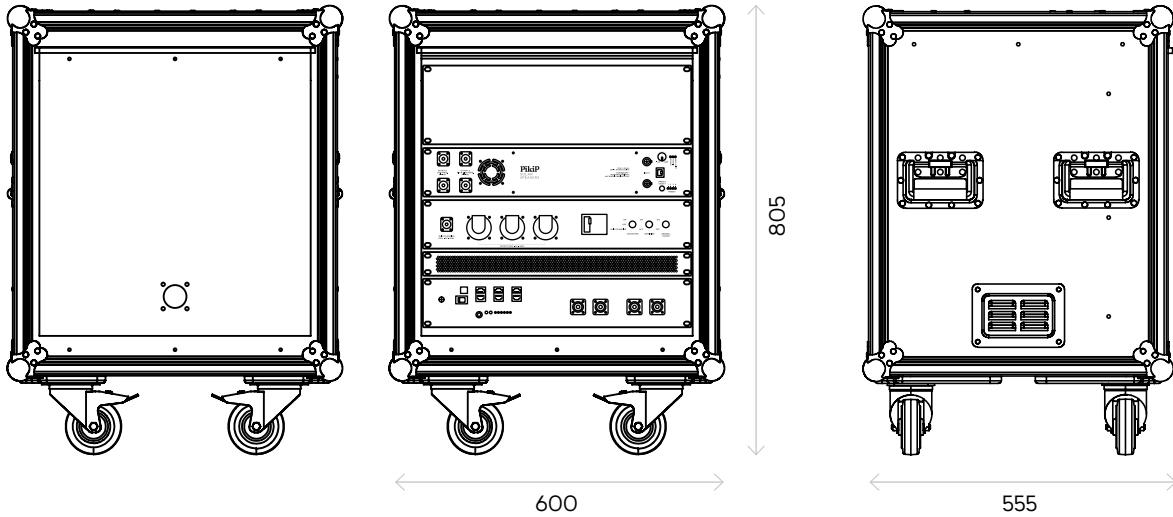
- Rack shock proof
- Standard 10 U
- 4 wheels (2 equipped with brakes)
- Double handles / reinforced corners / ventilation grille / lockable sliding cover

DIMENSIONS (LXPXH)mm

600 x 555 x 805

WEIGHT

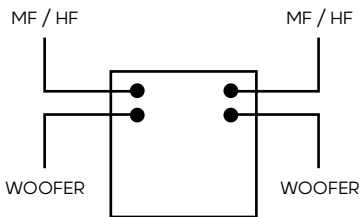
67kg



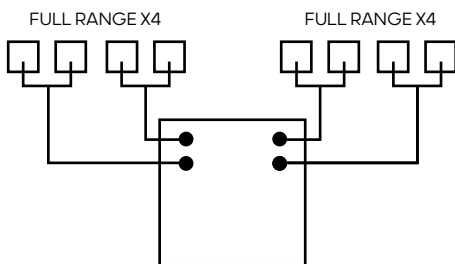
COMPATIBILITY

4 CHANNEL MODE

4x400Wrms @8ohms



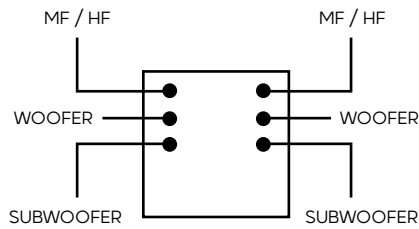
FULL STEREO



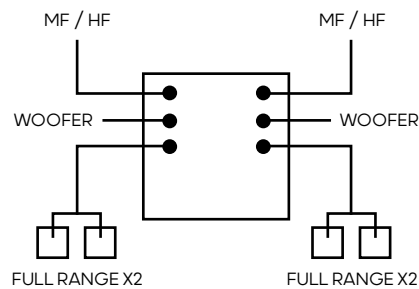
MULTIDIFFUSION XL

6 CHANNEL MODE

6x500Wrms @4ohms



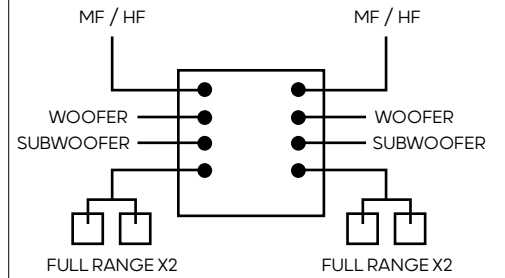
STEREO + SUBWOOFER



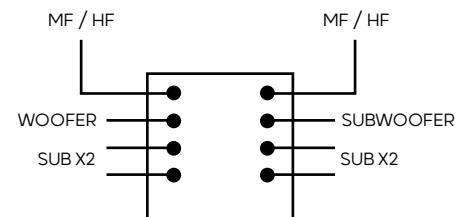
STEREO + RTN

8 CHANNEL MODE

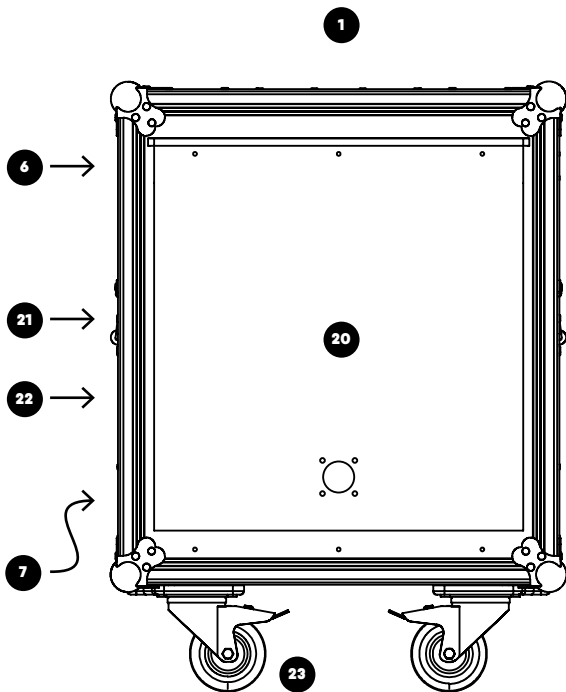
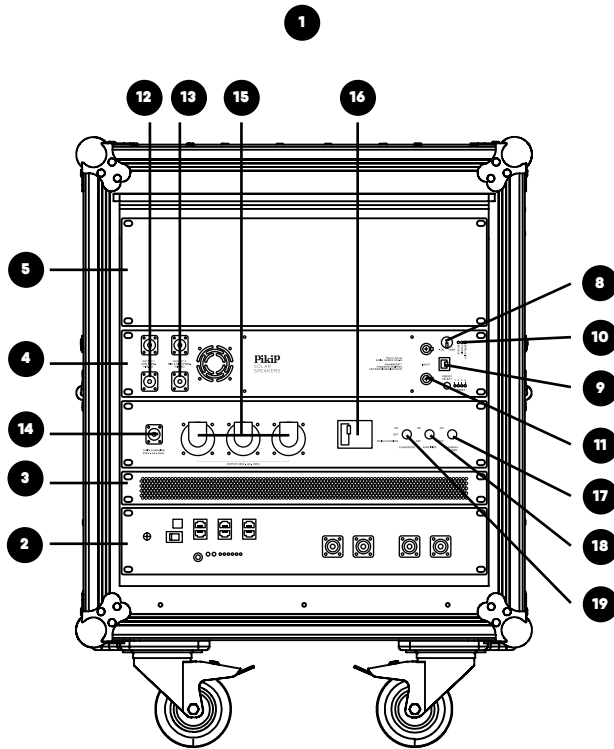
8x400wrms @4ohms



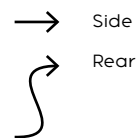
STEREO + SUBWOOFER + RTN



STEREO + EXTRA SUB (OR CARDOÏDE)



- 1 AEA
- 2 Battery drawer 2U
- 3 Energy drawer 2U
- 4 Amplifier drawer 2U
- 5 Free drawer
- 6 Energy monitoring
- 7 Solar connectors x2
- 8 Main level control
- 9 USB plug (DSP control)
- 10 Lights (Status / temp / clip)
- 11 XLR IN x2
- 12 SPEAKON OUT LF x2
- 13 SPEAKON OUT HF x2
- 14 POWERCON INPUT (main charging)
- 15 AC OUT SCHUKO (type E) x3
- 16 30mA RCCB
- 17 General switch
- 18 Amplifier switch
- 19 Converter and charger switch
- 20 Lockable sliding door
- 21 Handles
- 22 Ventilation grille
- 23 Wheels



Contact@pikip-solarspeakers.com

91 av Edouard Vaillant
93500 Pantin