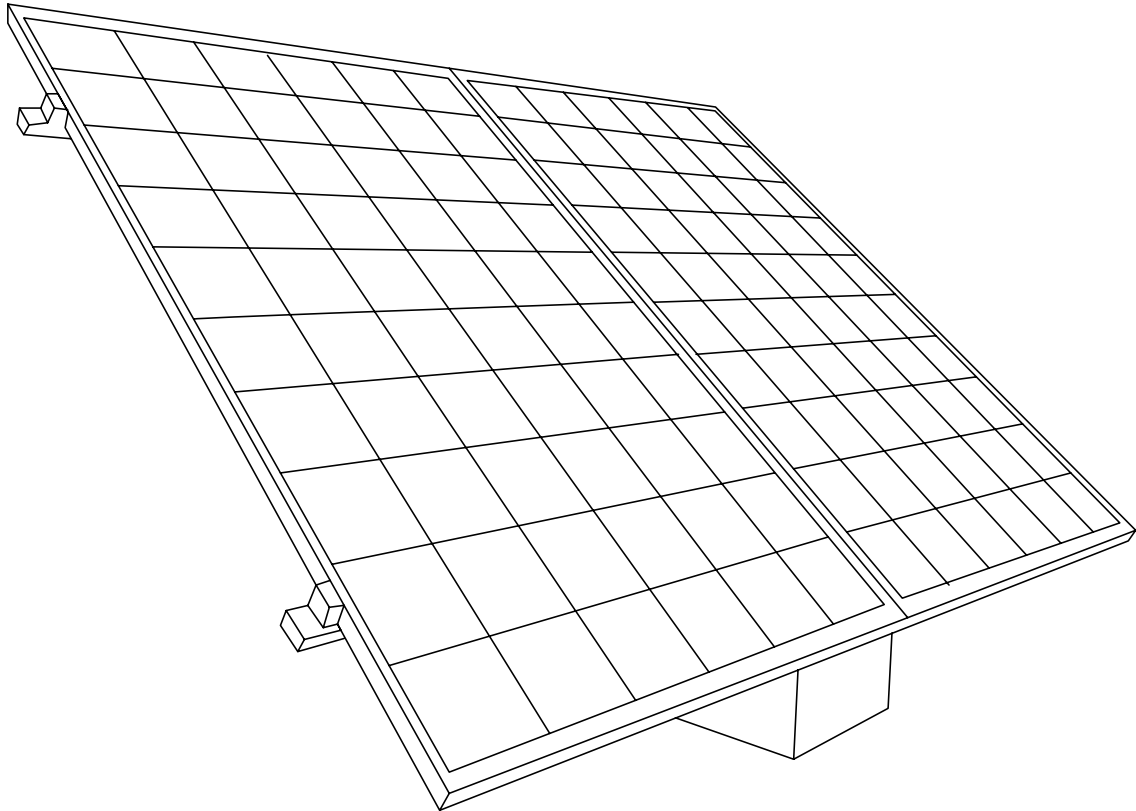

MODULE ENERGY PV

DATASHEET

OPTIMAL USE

Every installations

OUTDOOR



PV



**PRODUCES
ENERGY**

AUTONOMY EXTENSION

Solar recharge during use

QUICK SET UP

Pre-assembled weighted system

STABLE AND ROBUST

Galvanized steel trough ballasting system

MODULAR

Stackable for increased production

ENERGY SYSTEM FEATURES

- Photovoltaic power supply of 800 Wc / Manufactured in Europe TÜV certified / ISO 9001
- Compatible with 48 V and 24 V batteries
- 2x15 m of cable 3G4 (2P+PE) with MC4 connector and M6 lug for equipotential

POWER	800 Wc cumulative (1300 Wc - 1950 Wc - 2600 Wc - etc.)
OPEN CIRCUIT VOLTAGE	Voc: 42.6 V or 85.2 V
OPERATING CURRENT	I _{mpp} : 9,15 A ou 18,3 A

STRUCTURAL FEATURES

- Mounting on any type of horizontal ground
Aluminum tray with galvanized steel rail and wing nuts

DIMENSIONS (LXPXH)mm	2000 x 1200 x 1000
WEIGHT	50kg

