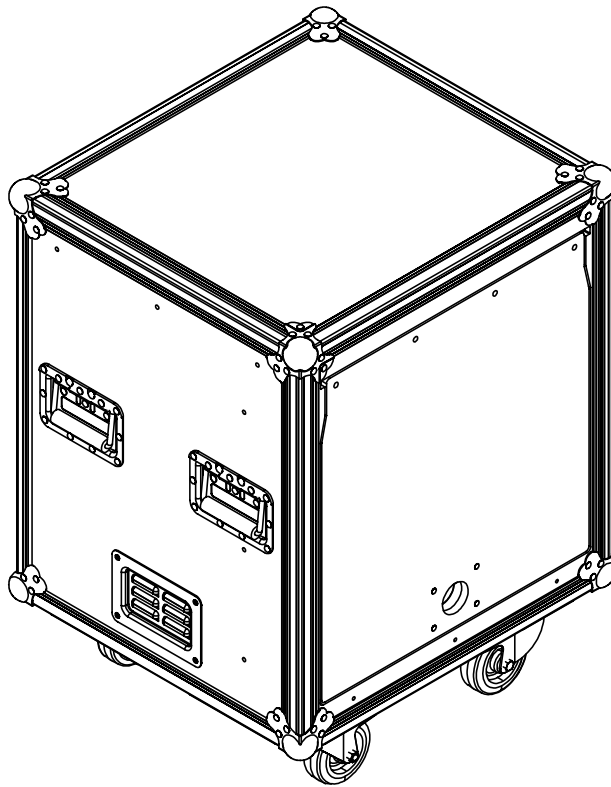


**MODULE ENERGY SE
DATASHEET**

COMPATIBILITY

ANY electrical
devices
ANY amplifiers on the
market



SE

Station Énergie / Energy Station



**TOTAL
AUTONOMY**



**STORES
ENERGY**



**PROVIDES
ENERGY**

BATTERY-POWERED GENERATOR

High AC power available anywhere

DESIGNED FOR TOURING

Rack format on wheels familiar to technicians

POWER STACKING

Up to 32 A three-phase available

GRID SWITCHING

Automated grid injection and withdrawal

HYBRID RECHARGE

Rechargeable through solar or grid power

MAINTENANCE-FREE

Reliability from European leaders

ENERGY SYSTEM FEATURES

- Designed for touring: all electronics in single rack
- Converter, regulator, and VICTRON monitoring made in Europe / TÜV certified / ISO 9001
- TNS neutral system
- AC outputs for technical equipment (mixing desk, turntables, effects...)
- Next-generation LiFePO4 batteries with secure BMS
- **ESS (Energy Storage System) function** > automatically switch connections to the electrical grid (injection or withdrawal) based on battery charge status or power demands.
- **UPS (Uninterruptible Power Supply) function** > instantly switch to battery in case of power outage.
- **Power Assist function** > Create 32A from a 16A! Avoid overloading a limited mains source by supplementing power from the batteries.
- 3 SCHUKO sockets equipped with 30mA RCD
- State-of-charge gauge for real-time control of power consumption and autonomy
- Supervision via Web Portal (4G) / LCD Screen / Smartphone (Bluetooth) / Audible Alarm

	SE 1200	SE 3000	SE 6000
NOMINAL POWER	1200 W	3000 W	6000 W
PEAK POWER	2400 Wc	5500 Wc	9000 Wc
STORAGE	2400 Wh	4800 Wh	7000 Wh
FUNCTION	Triphased / ESS / UPS / Power Assist		
CONNECTOR	PC16 P17 32A MONO (2P+T) P17 32A TETRA (3P+N+T)		
AUTONOMY (NO SUN) FOR 500 W	5 h	10 h	14 h
AUTONOMY (NO SUN) FOR 2000 W	X	2,5 h	3,5 h

CHARGING FEATURES

- 800 Wp Photovoltaic Power Supply on weighted aluminum structure / made in Europe / TÜV certified / ISO900 certificate
- POWERTWIST 20 A inputs for photovoltaic recharge
- POWERCON 16 A inputs for mains recharge
- 2x15 m of 3G4 cable (2P+PE) with MC4 connector and M6 terminal for equipotential bonding
- Long Life Batteries Algorithm (Bulk - Absorption - Floating)

PHOTOVOLTAIC POWER	800 Wc cumulative (1600 Wc - 2400 Wc - 3200 Wc - ect.)		
SOLAR CHARGING (10 TO 100%)*	2 h	4 h	6 h
MAIN CHARGING (10 À 100%)	4 h	2 h	3 h

*Avec 2 plateformes solaires en été par temps clair en France métropolitaine

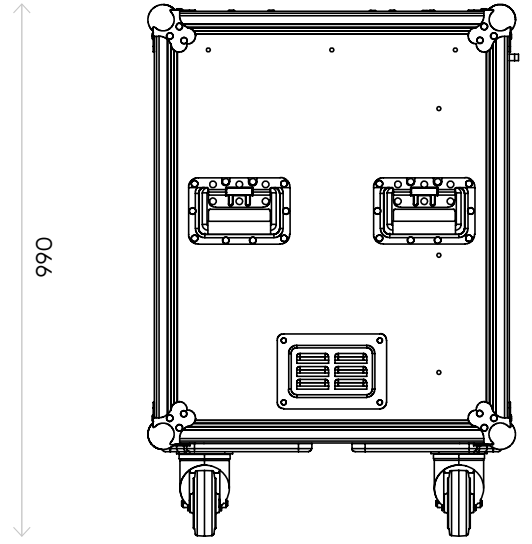
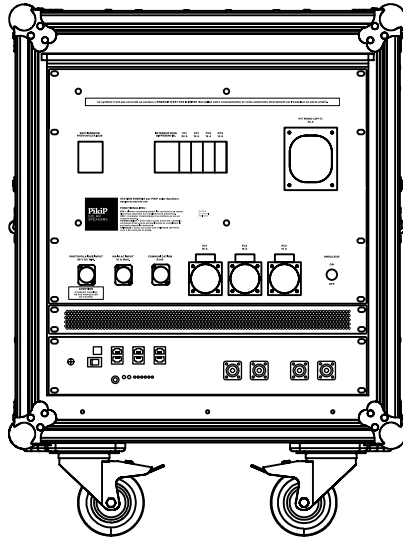
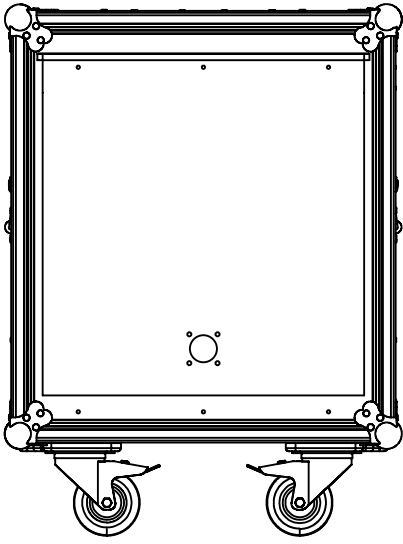
STRUCTURAL FEATURES

POWER SOURCE

- 19'' rack mounted on shock-absorbing silent blocks
- Standard size 6U to 14U
- 4 wheels 100 mm, 2 with brakes
- Double handles / reinforced corners / ventilation grille / lockable sliding cover

DIMENSIONS (LXPXH)mm	600 x 555 x 990
WEIGHT	105kg

2/3



990

600

555