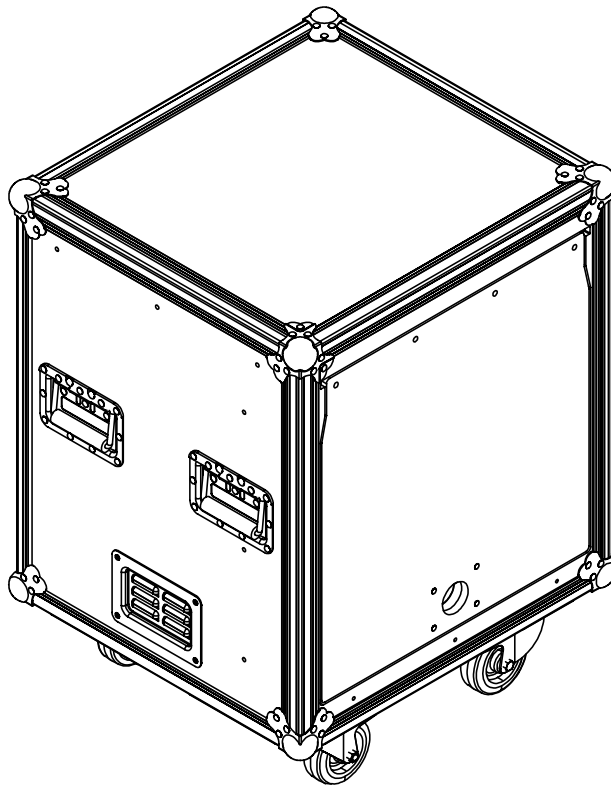


**MODULE ENERGY SE  
DATASHEET**

**COMPATIBILITY**

ANY electrical  
devices  
ANY amplifiers on the  
market



**SE**

Station Énergie / Energy Station



**TOTAL  
AUTONOMY**



**STORES  
ENERGY**



**PROVIDES  
ENERGY**

**BATTERY-POWERED GENERATOR**

High AC power available anywhere

**DESIGNED FOR TOURING**

Rack format on wheels familiar to technicians

**POWER STACKING**

Up to 32 A three-phase available

**GRID SWITCHING**

Automated grid injection and withdrawal

**HYBRID RECHARGE**

Rechargeable through solar or grid power

**MAINTENANCE-FREE**

Reliability from European leaders

## ENERGY SYSTEM FEATURES

- Designed for touring: all electronics in single rack
- Converter, regulator, and VICTRON monitoring made in Europe / TÜV certified / ISO 9001
- TNS neutral system
- Residual Current Device (RCD) / Isolator / Emergency Stop
- AC outputs for technical equipment (mixing desk, turntables, effects...)
- Next-generation LiFePO4 batteries with secure BMS
- **ESS (Energy Storage System) function** > automatically switch connections to the electrical grid (injection or withdrawal) based on battery charge status or power demands.
- **UPS (Uninterruptible Power Supply) function** > instantly switch to battery in case of power outage.
- **Power Assist function** > Create 32A from a 16A! Avoid overloading a limited mains source by supplementing power from the batteries.
- 3 SCHUKO sockets equipped with 30mA RCD
- State-of-charge gauge for real-time control of power consumption and autonomy
- Supervision via Web Portal (4G) / LCD Screen / Smartphone (Bluetooth) / Audible Alarm

	SE 1200	SE 3000	SE 6000
<b>NOMINAL CURRENT</b>	10 A	16 A	32 A
<b>NOMINAL POWER</b>	3000 VA	5000 VA	10000 VA
<b>PEAK POWER</b>	5500 Wc	9000 Wc	18000 Wc
<b>STORAGE</b>	5120 Wh	9600 Wh	10200 Wh
<b>FUNCTION</b>	Triphasé / ESS / UPS / Power Assist		
<b>CONNECTOR</b>	3x PC16 POWERCON / ANDERSON	3xPC16 + P17 32 A POWERCON / ANDERSON	3xPC16 + P17 32 A POWERCON / ANDERSON
<b>AUTONOMY (NO SUN) FOR 500 W</b>	10h	20h	20h
<b>AUTONOMY (NO SUN) FOR 2000 W</b>	2,5h	5h	5h

## CHARGING FEATURES

- 800 Wp Photovoltaic Power Supply on weighted aluminum structure / made in Europe / TÜV certified / ISO900 certificate
- ANDERSON 50 A inputs for photovoltaic recharge
- POWERCON 16 A inputs for mains recharge
- 2x15 m of 3G4 cable (2P+PE) with MC4 connector and M6 terminal for equipotential bonding
- Long Life Batteries Algorithm (Bulk - Absorption - Floating)

<b>PHOTOVOLTAIC POWER</b>	800 Wc cumulative (1600 Wc - 2400 Wc - 3200 Wc - ect.)		
<b>SOLAR CHARGING (10 TO 100%)*</b>	4h	6h	6h
<b>MAIN CHARGING (10 À 100%)</b>	2h	FAST 2h	FAST 2h

\*Avec 2 plateformes solaires en été par temps clair en France métropolitaine

## STRUCTURAL FEATURES

### POWER SOURCE

- 19" rack mounted on shock-absorbing silent blocks
- Standard size 6U to 14U
- 4 wheels 100 mm, 2 with brakes
- Double handles / reinforced corners / ventilation grille / lockable sliding cover

	SE 3000	SE 5000	SE 10000
<b>DIMENSIONS (LXPXH)mm</b>	600 x 730 x 630	600 x 730 x 720	600 x 730 x 810
<b>WEIGHT</b>	80 kg	100 kg	140 kg

