
SOLUTION PIKIP ENERGY

DATASHEET

OPTIMAL USE

all installations

OUTDOOR & INDOOR



VERSATILE

Makes your installations self-sufficient

AUTONOMOUS TOURING AMPLIFIER & DSP

Total independence

AC GENERATOR

230V output for any type of device

FROM 2 TO 4 SOLAR PANELS

Extended autonomy with no main connection

HYBRID CHARGE

Solar panels or main

SIMPLIFIED LOGISTICS

Market standards compatible

ENERGY SYSTEM FEATURES

- Converter - Regulator - Battery MADE IN E.U. / certificate TÜV / ISO 9001
- DC and AC output for external electrical musical devices (mixing desks, turntables...)
- 3x SCHUKO plugs protected by 30mA RCCB
- State of charge controller for real time consumption and autonomy monitoring
- Bluetooth Smart Phone connection

AC OUTPUT	500VA - 900Wc or 1200VA - 2400Wc (230/110V)
DC OUTPUT	48V - 50A max / 100A crête (15 s.)
STORAGE	2400Wh
AUTONOMY (NO SUN)	20h - full amplifier power 8h - full amplifier power + artists power supply 5h - full amplifier power + artists power supply + lights

INTEGRATED AMPLIFIER & DSP FEATURES

- Green Audio Power Technology by PowerSoft
- Amplifier class D with integrated DSP
- 2 XLR analog input
- 2 SPEAKON per channel - minimum impedance 4ohm per channel
- Protection over-under voltage.
- Protection Peak and RMS limiters customizable
- 4 acoustic presets provided (custom preset option available)
- Fully configurable with ArmoniaPlus

OUTPUT POWER (EIAJ 1kHz, 1% THD)	2 channel mode - 2x400Wrms @8ohms (brigeable) 4 channel mode - 4x400Wrms @8ohms (brigeable) 6 channel mode - 6x400Wrms @8ohms (brigeable)
GAIN	26dB
FREQUENCY RESPONSE (+/-3dB)	20Hz - 33kHz @1W, 8ohms
SIGNAL-TO-NOISE RATIO	>113dB
INPUT SENSITIVITY (8 ohms)	1,7 dBU
INPUT IMPEDANCE	10k ohms
THD+N	<0,08 from 0,1W to half power
OPERATING TEMPERATURE	0°C to 40°C / Active fan

CHARGING FEATURES

- 650Wc Photovoltaic power supply weighted by steel structure/ MADE IN E.U. / certificate TÜV / ISO 9001
- POWERTWIST socket for solar pannel charge
- POWERCON socket for main charge
- 2x 10m RADOX cable 4mm² connected by MC4
- Long life battery algorithm (Bulk - Absorption - Floating)

CHARGING TIME	CONFIGURATION	2 PV	MAIN
	500 - 2400	4h*	8h
	1200 - 2400	4h*	4h

*Sunny day in Europe, 46°00'N.

STRUCTURAL FEATURES

AEA

- Rack shock proof
- Standard 8U to 12U
- 4 wheels (2 equipped with brakes)
- Double handles / reinforced corners / ventilation grille / lockable sliding cover

DIMENSIONS (LXPXH)mm 600 x 555 x 805

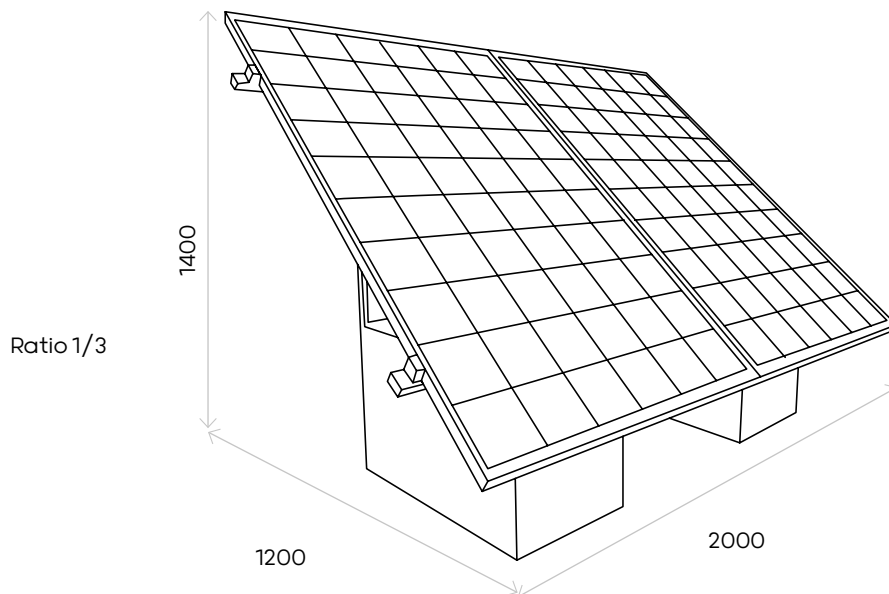
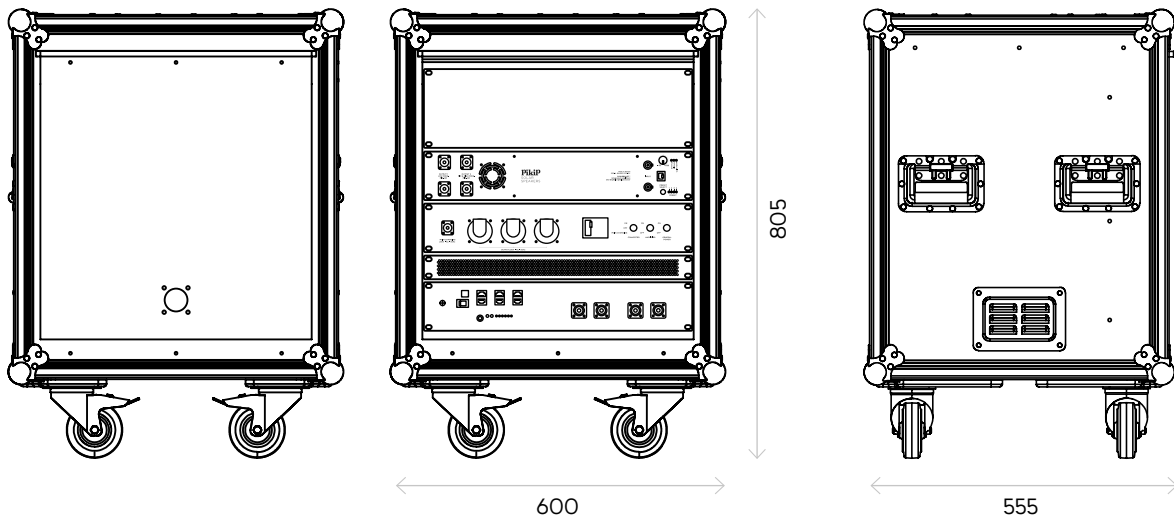
WEIGHT 67kg

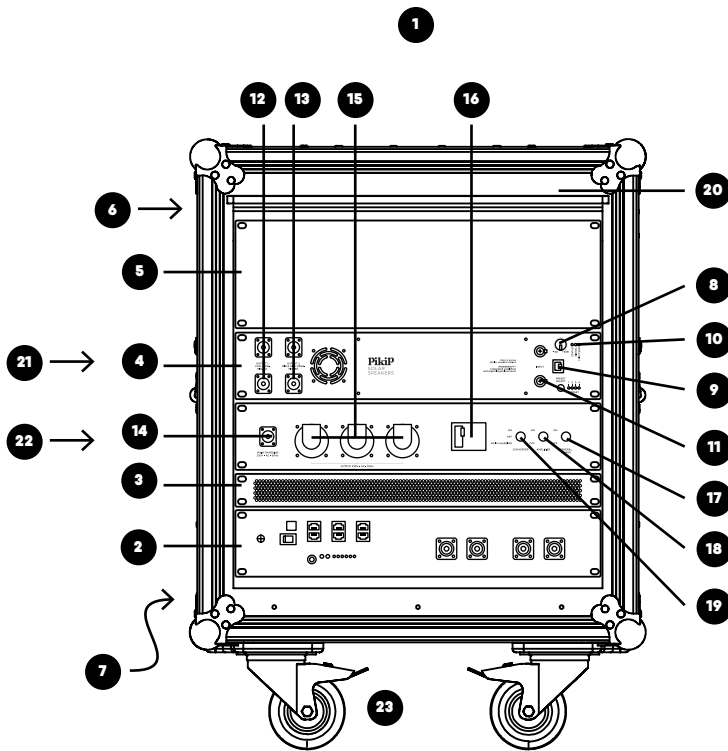
SOLAR

- Ground mounting system (2 solar panels)
- Gravel / Sand / Concrete weighted structure
- Galvanized steel

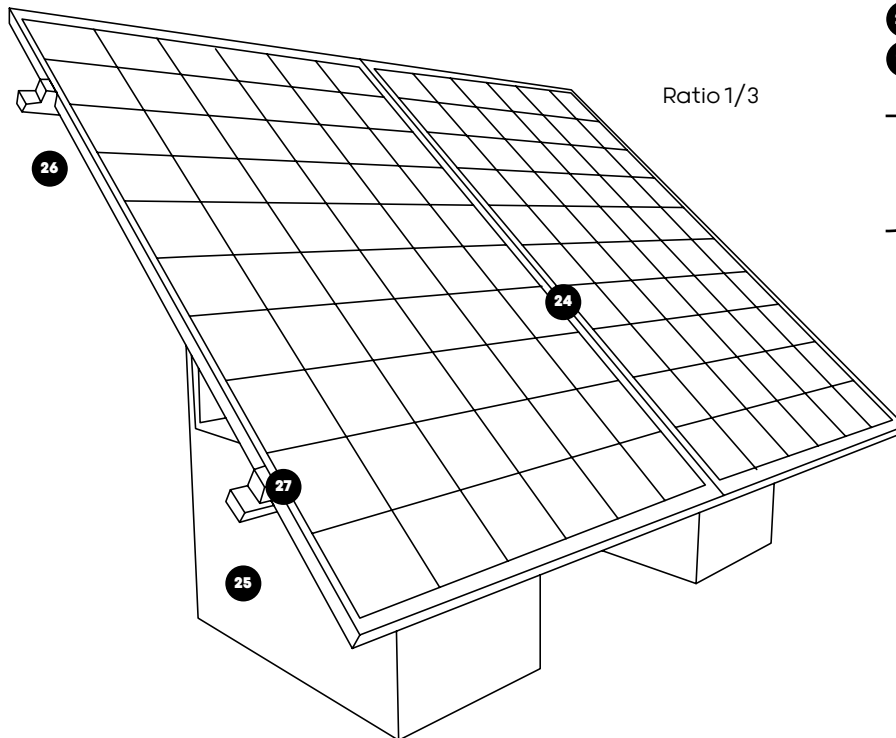
DIMENSIONS (LXPXH)mm 2000 x 1200 x 1400

WEIGHT 60kg





- 1 AEA module
 - 2 Battery drawer 2U
 - 3 Energy drawer 2U
 - 4 Amplifier drawer 2U
 - 5 Free drawer 3U
 - 6 Energy monitoring
 - 7 Solar connectors x2
 - 8 Main level controle
 - 9 USB plug (DSP control)
 - 10 Lights (Status / temp / clip)
 - 11 XLR IN x2
 - 12 SPEAKON OUT LF x2
 - 13 SPEAKON OUT HF x2
 - 14 POWERCON INPUT (main charging)
 - 15 AC OUT SCHUKO (type E) x3
 - 16 30mA RCCB
 - 17 General switch
 - 18 Amplifier switch
 - 19 Converter and charger switch
 - 20 Lockable sliding door
 - 21 Handles
 - 22 Ventilation grille
 - 23 Wheels
 - 24 Solar panels (2 to 4)
 - 25 Weighted structure
 - 26 Aluminium rail
 - 27 Rigging system
- Side
 ↪ Rear



Contact@pikip-solarspeakers.com

91 av Edouard Vaillant
93500 Pantin